



AKAI

DVD/VCD/CD/MP3-RECIVER

Model:
ADV-63DR

SERVICE MANUAL

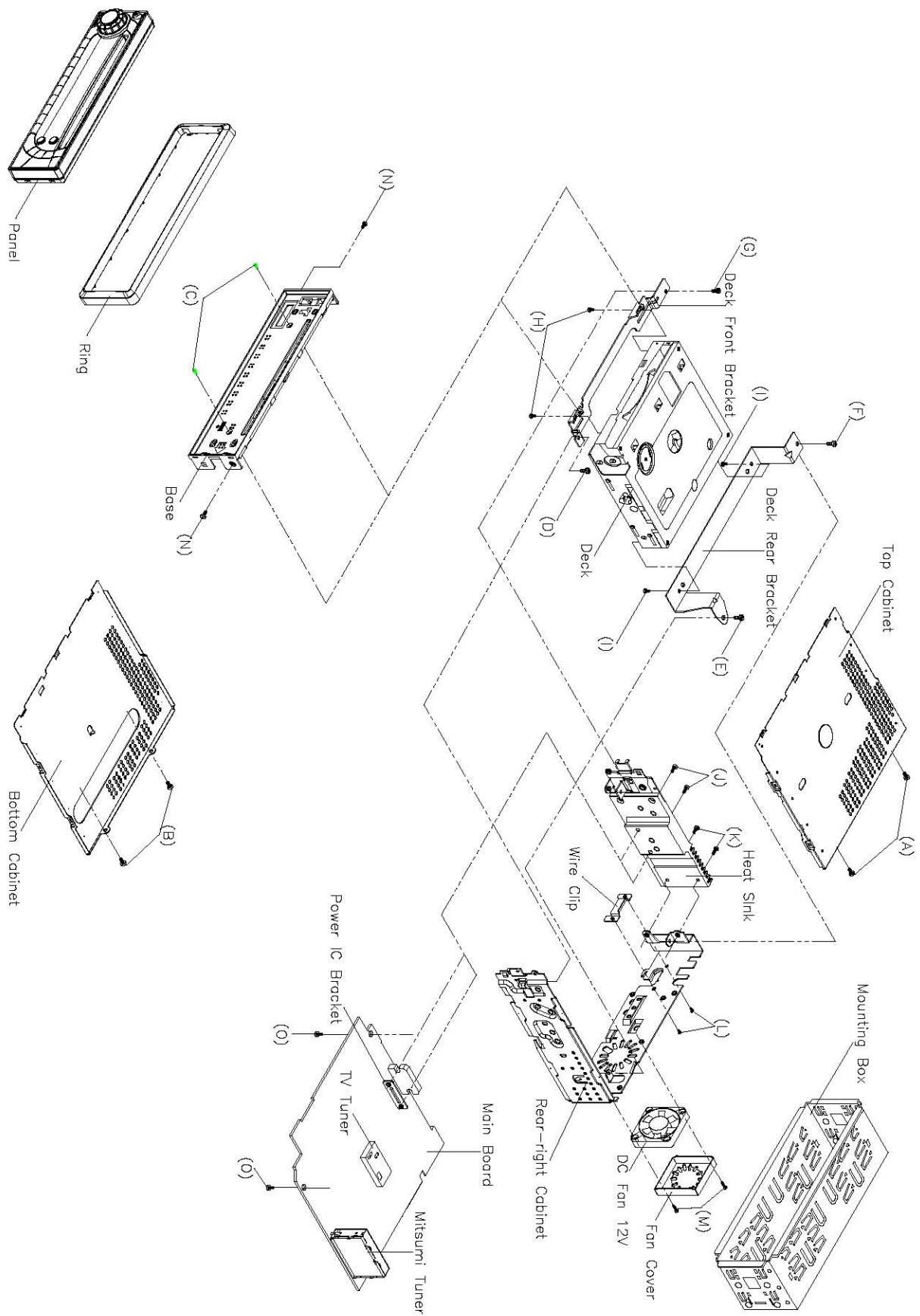
CONTENTS

	Page
Disassembly Instructions.....	3
Disassembly Diagram.....	4
Operation Check.....	5
Block Diagram	6
Alignment Locations	7
Alignment Procedures	8
Printed Circuit Boards.....	10
Exploded Views (Panel).....	17
Exploded View Parts Lists (Panel).....	18
Exploded Views (Cabinet)	19
Exploded View Parts Lists (Cabinet)	20
Exploded Views (Deck).....	21
Exploded View Parts Lists (Deck).....	22
Schematic Diagram	24
Electrical Parts List.....	30
Specifications.....	40

DISASSEMBLY INSTRUCTIONS

1. Using the unlock key that came with the unit or a similar tool, unlock the Mounting Box and remove toward the rear of the unit.
2. Remove two screws (A) located on the rear of the top cabinet then remove the Top Cabinet.
3. Remove two screws (B) located on the rear of the bottom cabinet then remove the Bottom Cabinet.
4. Take out the Front Panel and the Ring.
Remove two screws (C) from on the front side of the Base.
5. Remove the screw (D) from on the right side of the Rear-right Cabinet and the screw (E) from on the rear of the Rear-right Cabinet.
Remove the screw (F) from on the left side of the Rear-right Cabinet and the screw (G) on the right side of the heat sink.
6. Remove two screws (H) from under the deck front bracket then remove the Deck Front Bracket.
Remove two screws (I) from under the deck rear bracket then remove the Deck Rear Bracket.
7. Remove two screws (J) from on the left side of the heat sink then remove the Power IC Bracket.
8. Remove two screws (K) from on the left side of the heat sink.
9. Remove two screws (L) from on the rear of the Rear-right Cabinet then remove Wire Clip.
10. Remove two screws (M) from on the back of the Rear-right Cabinet then remove the DC FAN 12V and the Fan Cover.
11. Remove two screws (N) from each side of the base then remove the Base.
12. Remove two screws (O) from under the main board then remove the Heat Sink, Rear-right Cabinet and the Main Board.

DISASSEMBLY DIAGRAM



OPERATION CHECK

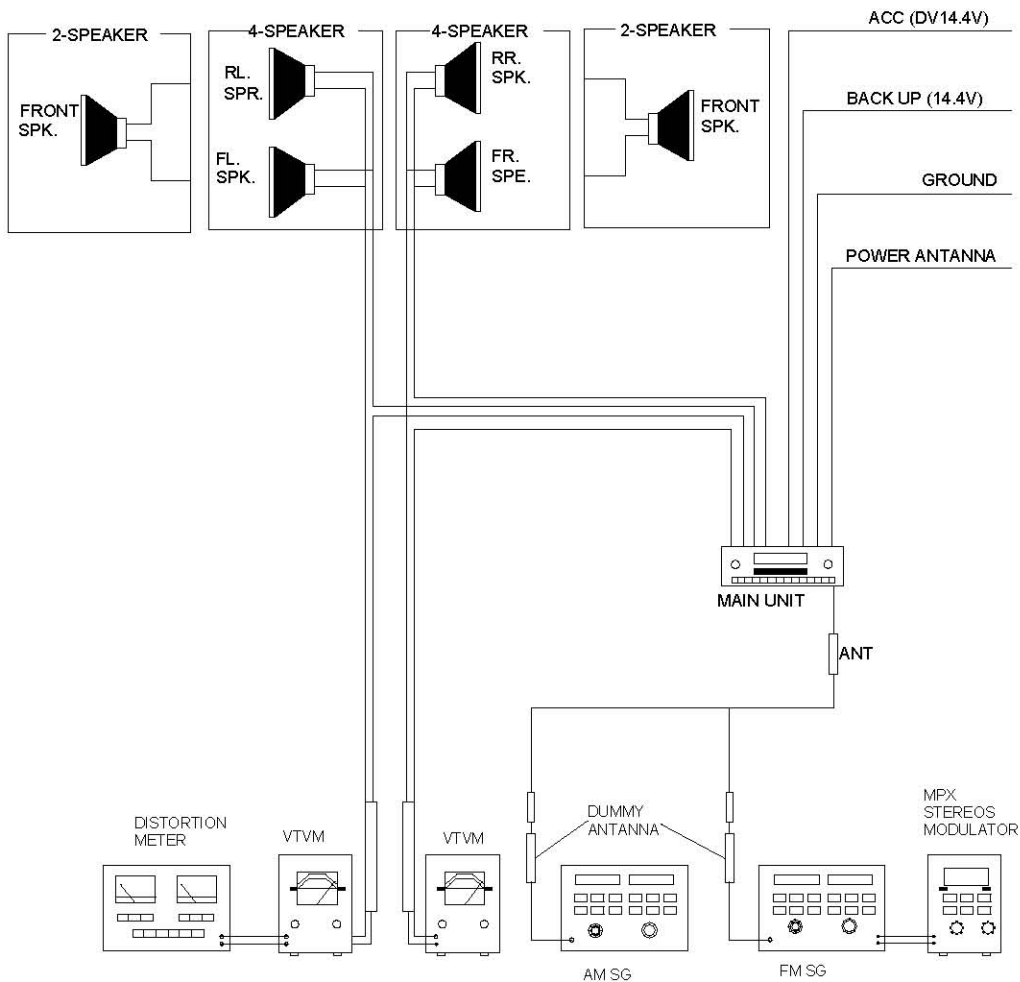
GENERAL SPECIFICATIONS OF SIGNAL

Standard frequency	FM	98.1 MHz (65.0, 74.0MHz)	(87.5, 107.9 MHz)
	MW	1000 kHz (522, 1620 kHz)	
Signal output	FM	1mV	
	MW	5 mV	
Modulation	MW	400 Hz	30% MOD.
	FM Stereo	1 kHz	75kHz DEV.

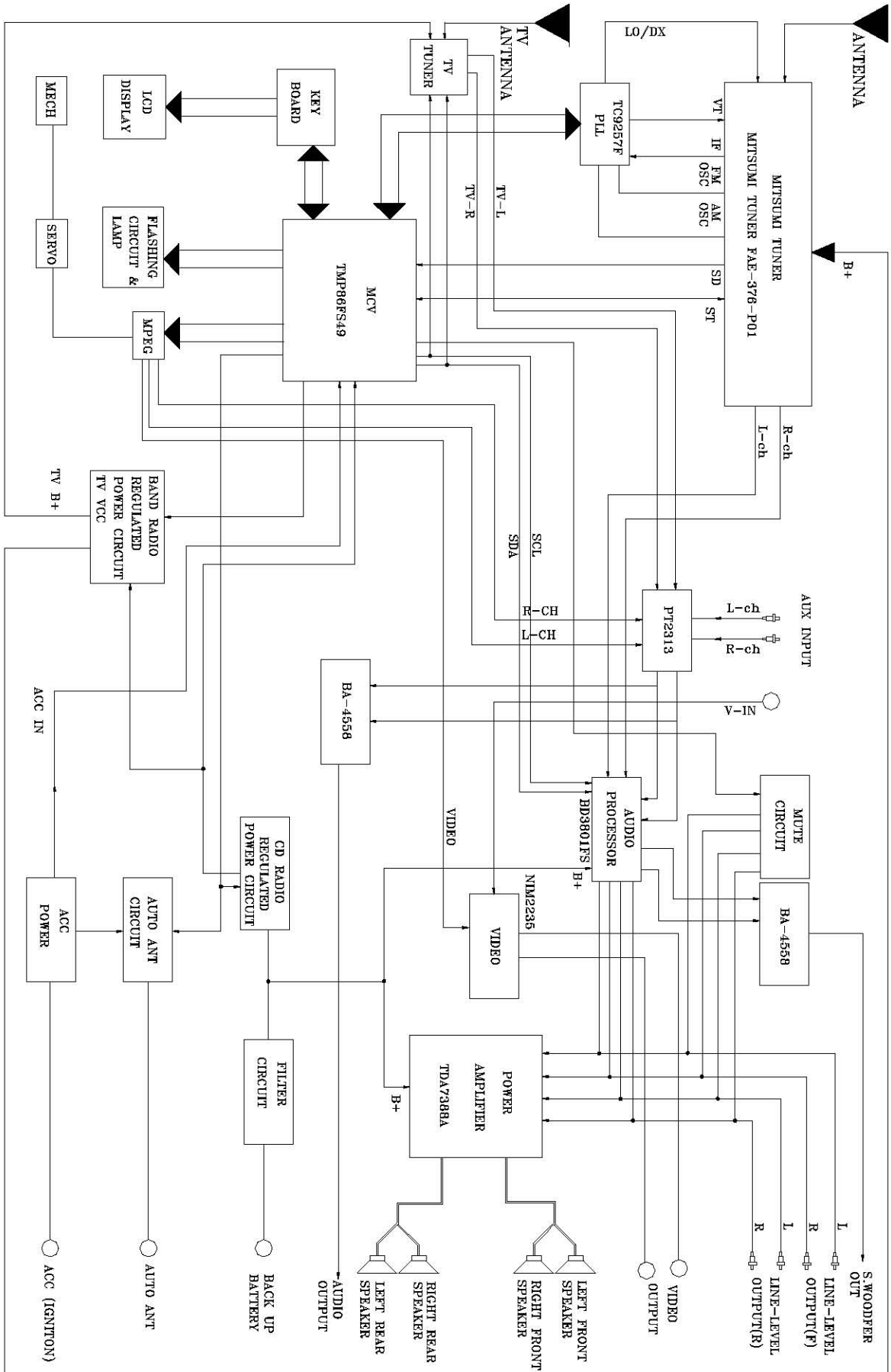
AF output level	FM/MW
Power source voltage	DC 14.0V (Backup voltage is the same as this)
AF load impedance	4 ohm pure resistance
Balance	Center position of level
Tone	Center position

The signal strength read in this section is voltage on the antenna.

Test Diagram

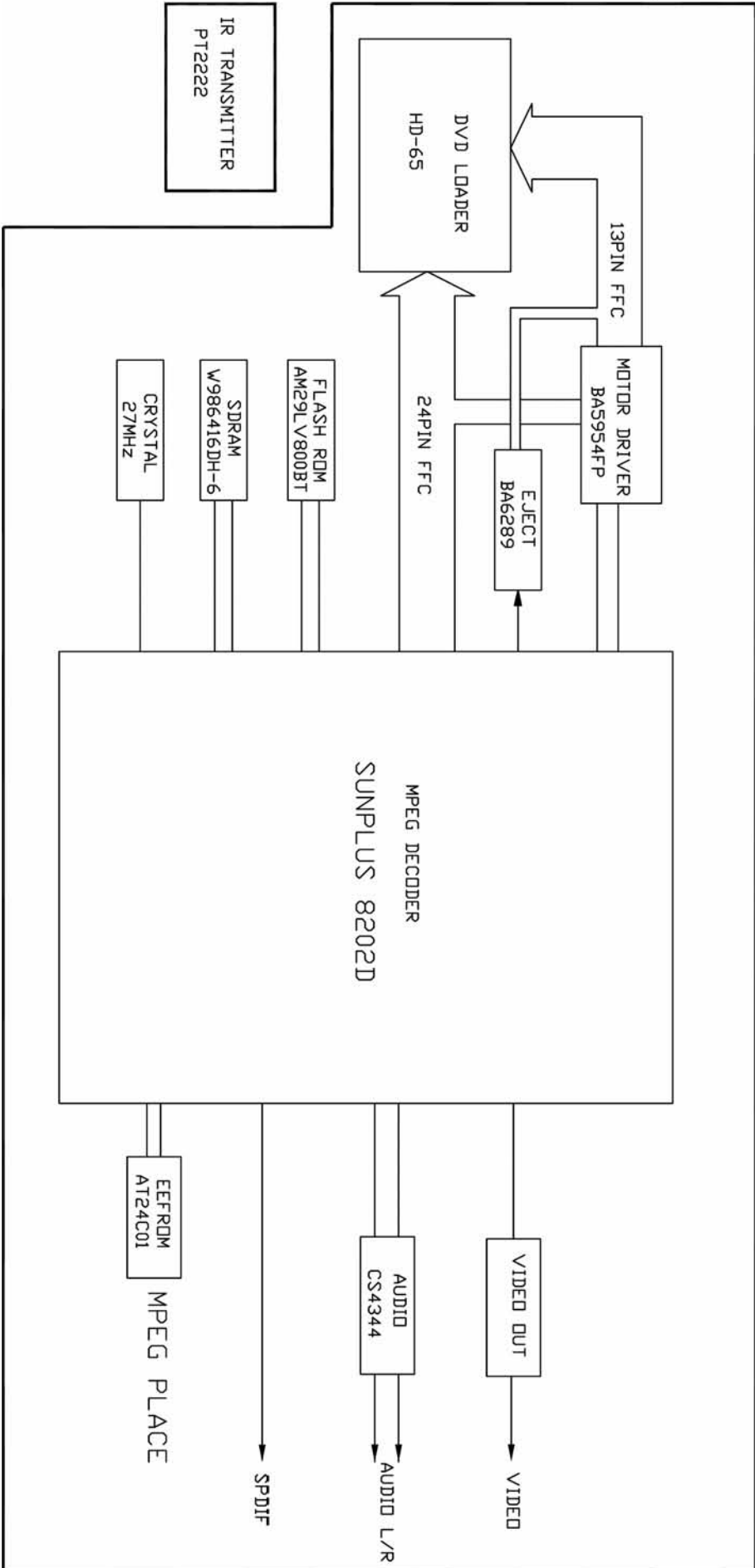


BLOCK DIAGRAM (RADIO SECTION)



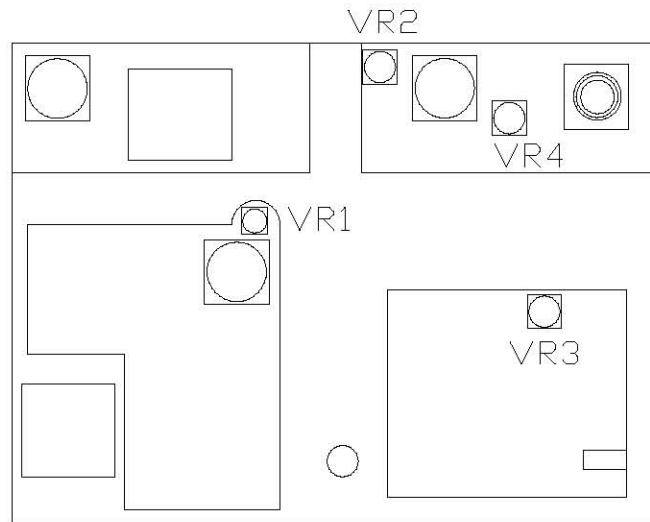
BABY DVD FUNCTION BLOCK DIAGRAM

BLOCK DIAGRAM (DVD SECTION)



ALIGNMENT LOCATIONS

MITSUMI TUNER



ALIGNMENT PROCEDURES

FM ADJUSTMENT

Equipment Required

- AM IF/RF signal generator
- Solid-state voltmeter (SSVM)
- Regulated DC power supply
- 2-CH voltmeter
- Distortion meter

FM Alignment Using FM Signal Generator

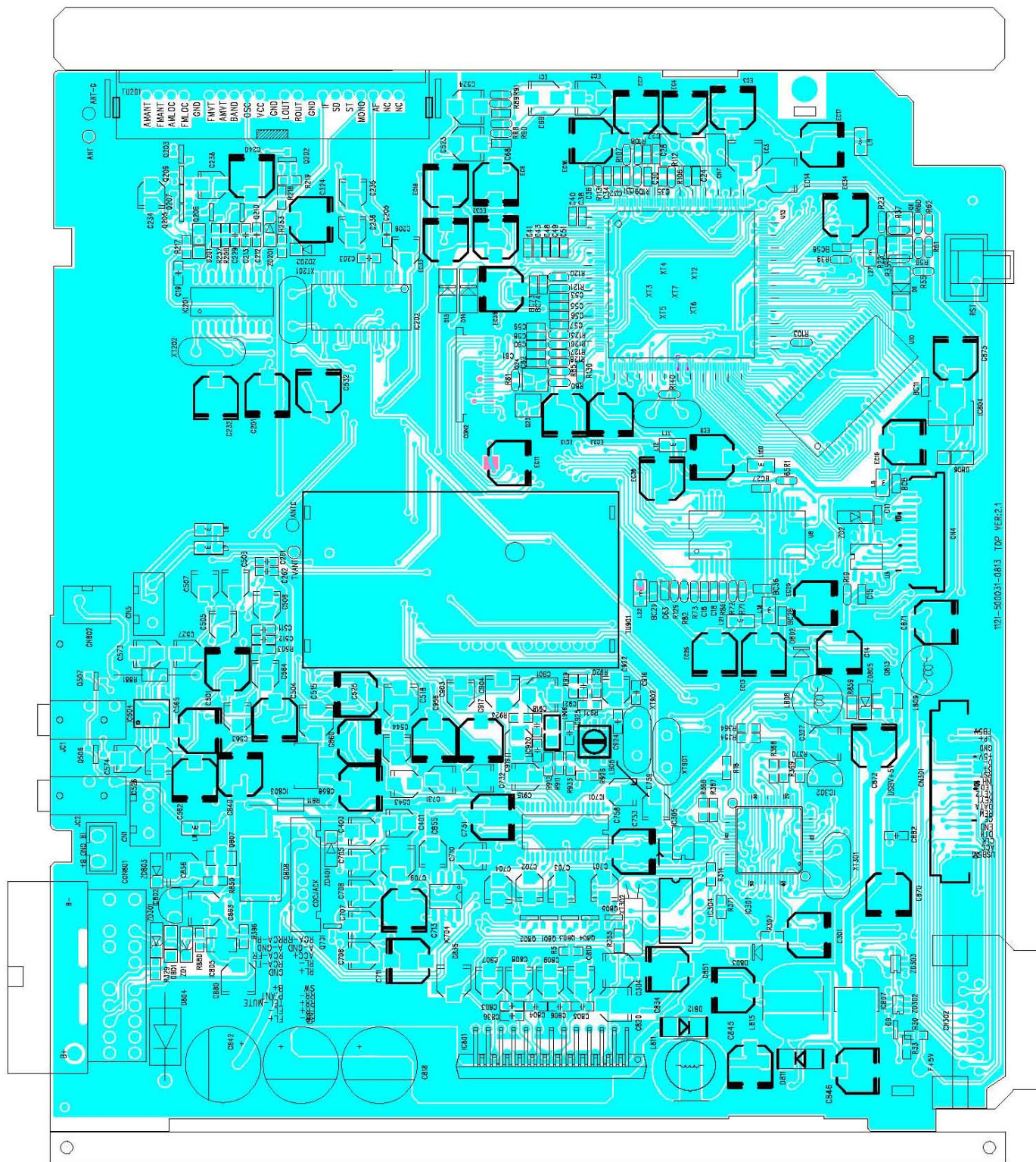
Note: Press the radio power switch to on the radio. Signal generator output must be kept as low as possible to avoid overload and clipping.

Step	Generator Coupling	Generator	Display Setting	Adjustment	Remarks
Stereo Separation	Signal Generator to antenna receptacle	98.1 MHz Int. 1 kHz Dev. 75 kHz L+R = 90 % pilot = 10 %	98.1 MHz	VR3	Adjust AF output power at maximum separating more than 30 dB
FM SNC Adjustment	98.1 MHz Dev. 75 kHz L+R=90 % Int. 1 kHz 60dB μ V output	98.1 MHz @ 40 dB μ	98.1 MHz	VR2	Stereo Separation 25 dB (\pm 5 dB)
Stop SENS.	Signal Generator to antenna receptacle	98.1 MHz Mod. 1kHz Dev 75kHz	98.1 MHz	VR4	Adjust AF to stop station.
		1000 kHz Mod. 1kHz Mod 30%	1000 kHz	VR1	

Note: The tuner module is well-adjust and adjustment is not recommended.

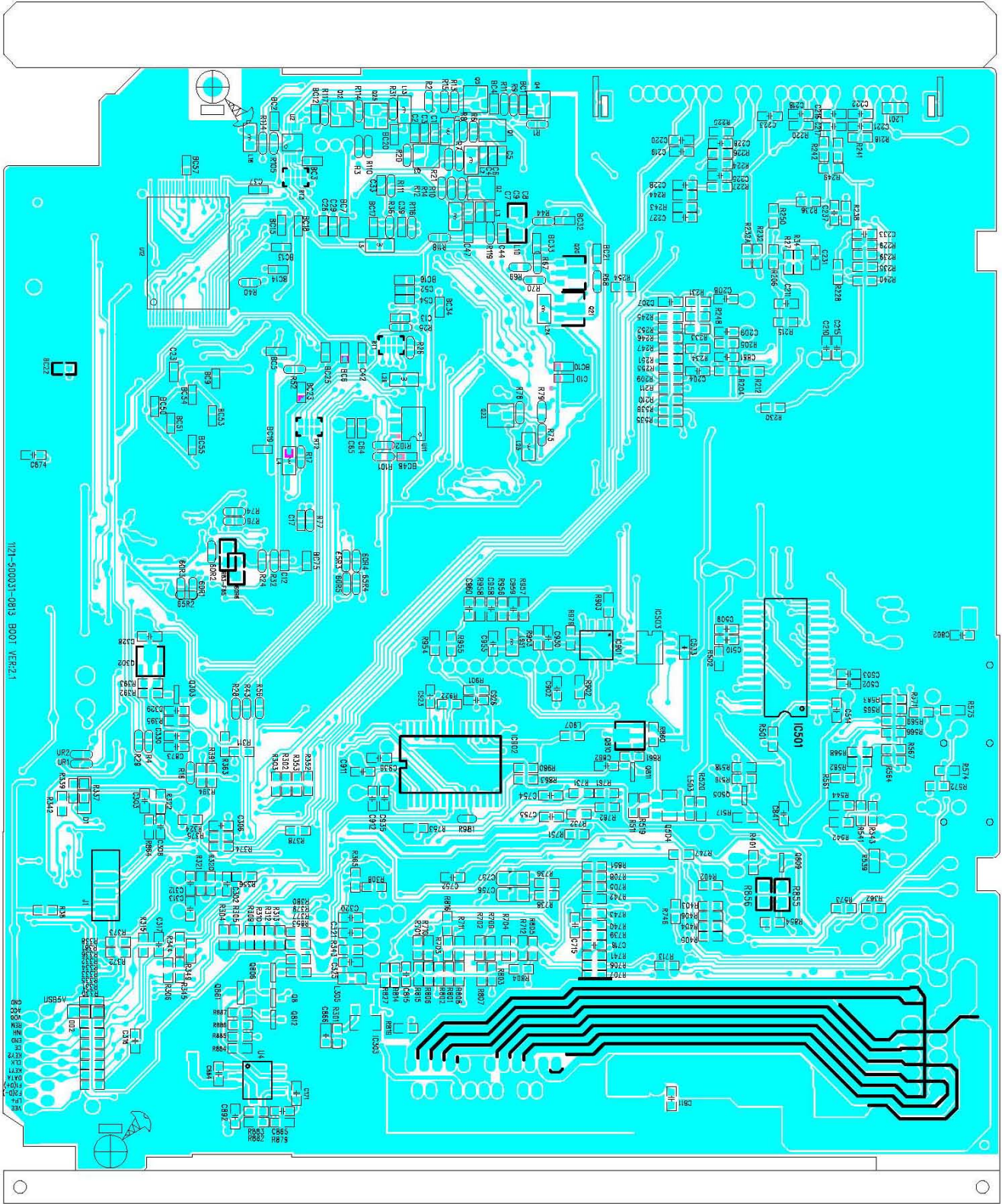
PRINTED CIRCUIT BOARDS

MAIN BOARD



TOP VIEW

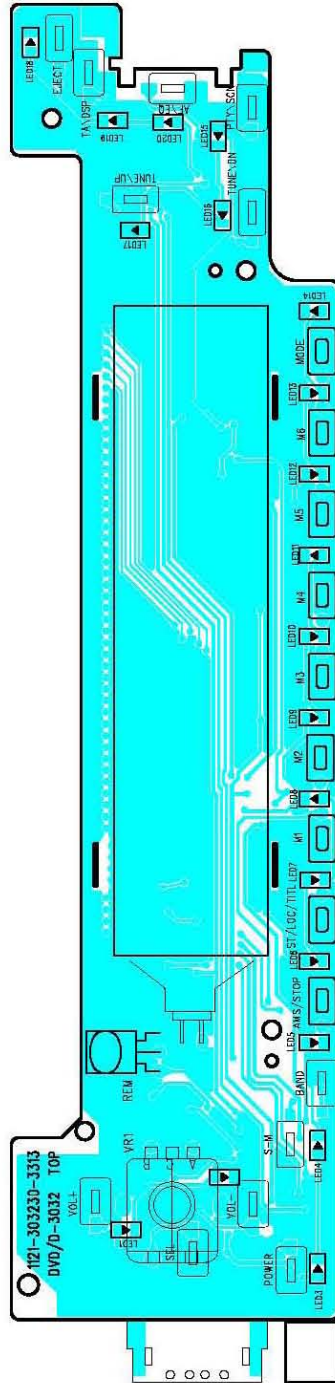
MAIN BOARD



121-500031-0B13 B001 VER2.1

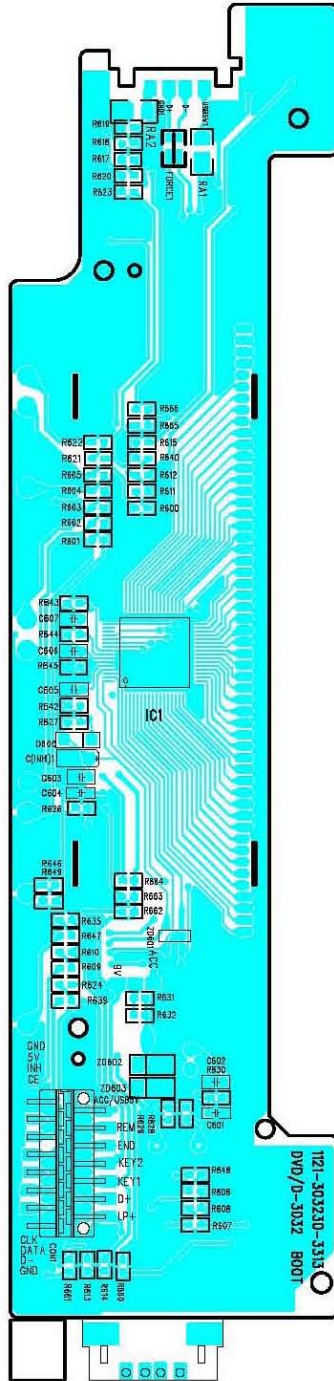
BOTTOM VIEW

KEY BOARD



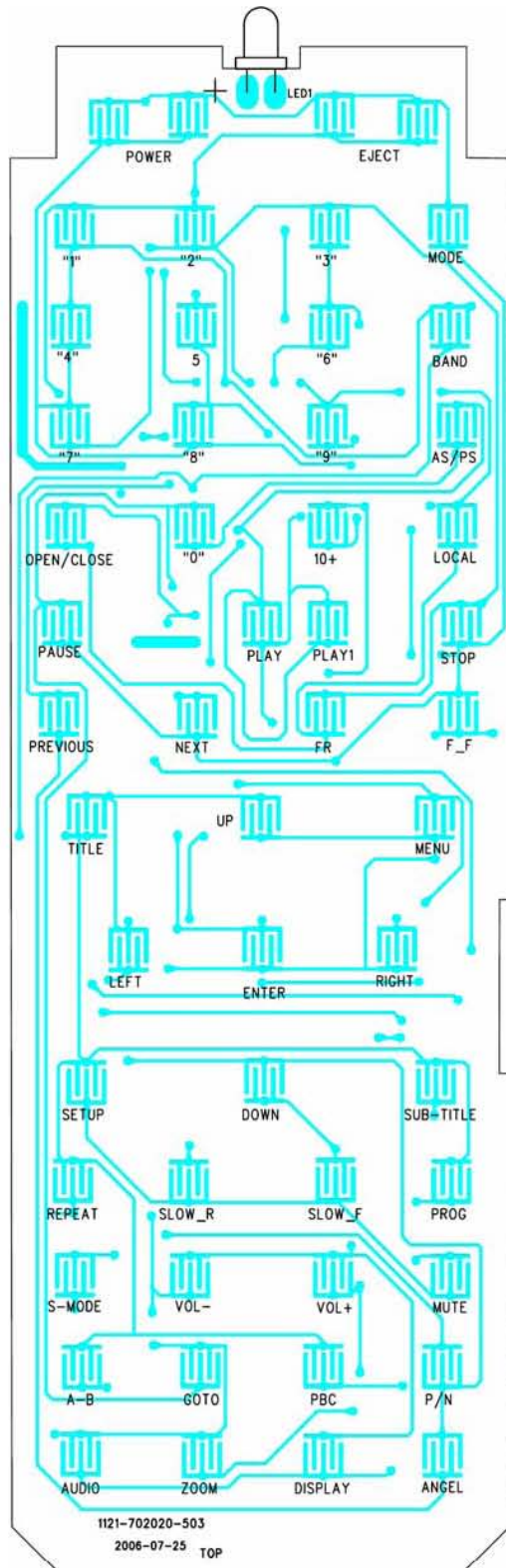
TOP VIEW

KEY BOARD



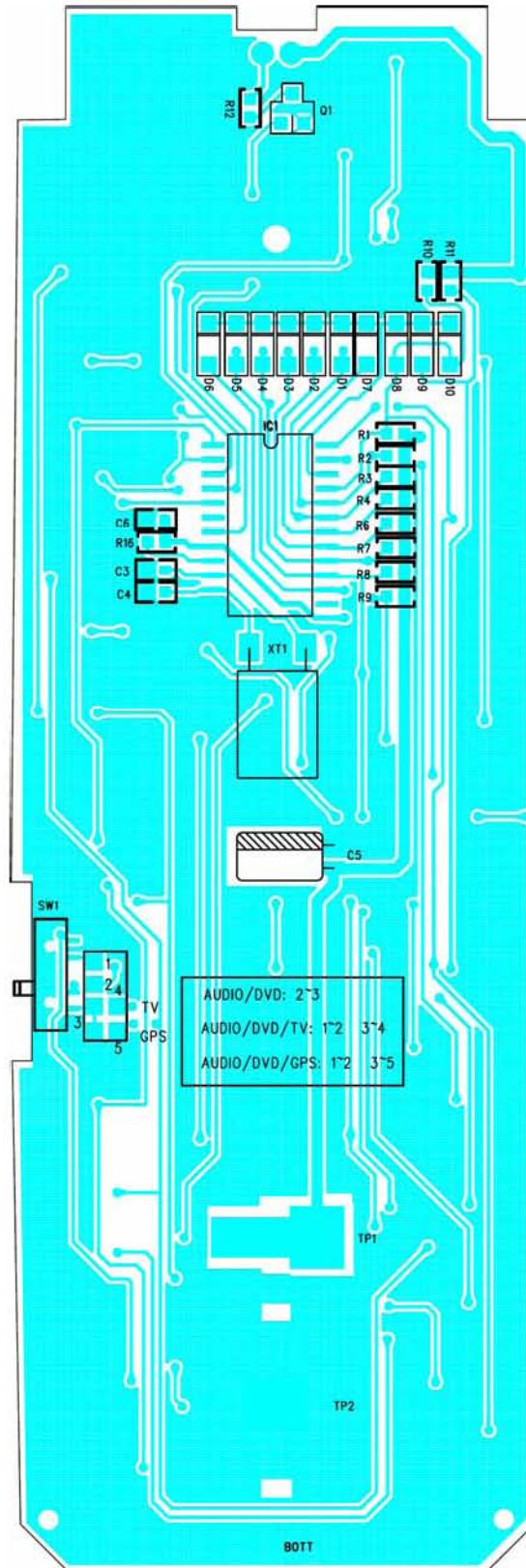
BOTTOM VIEW

REMOTE BOARD



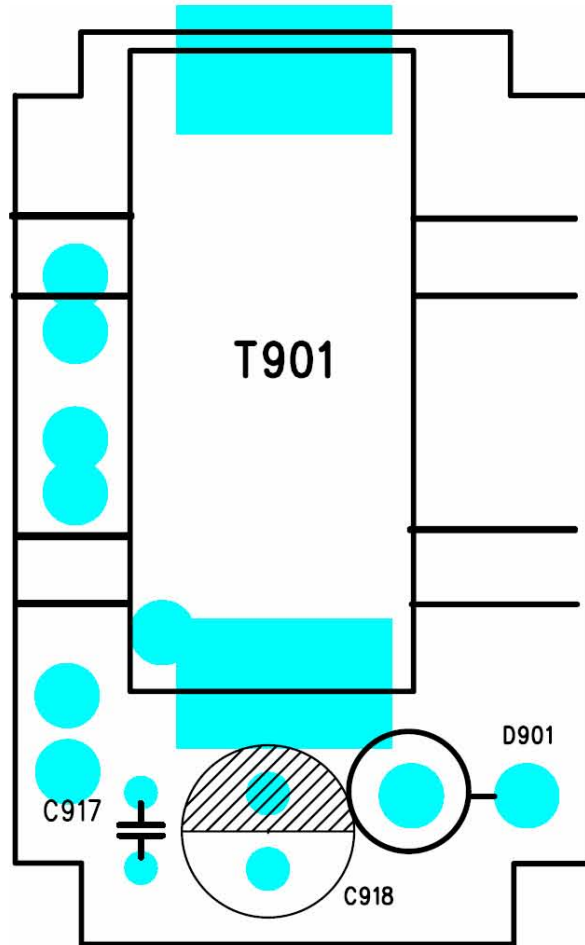
TOP VIEW

REMOTE BOARD



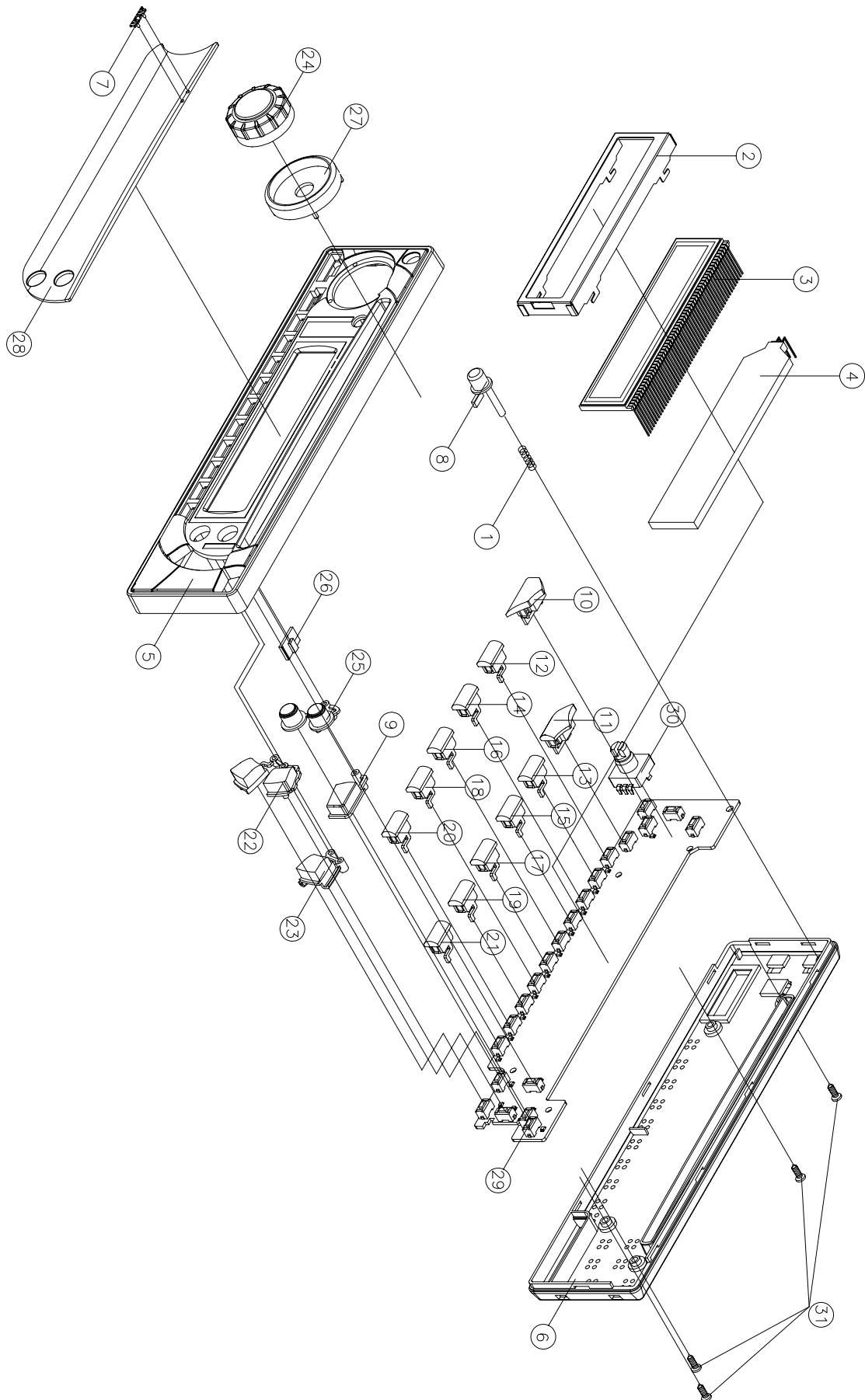
BOTTOM VIEW

CHOKE BOARD



EXPLODED VIEW

PANEL



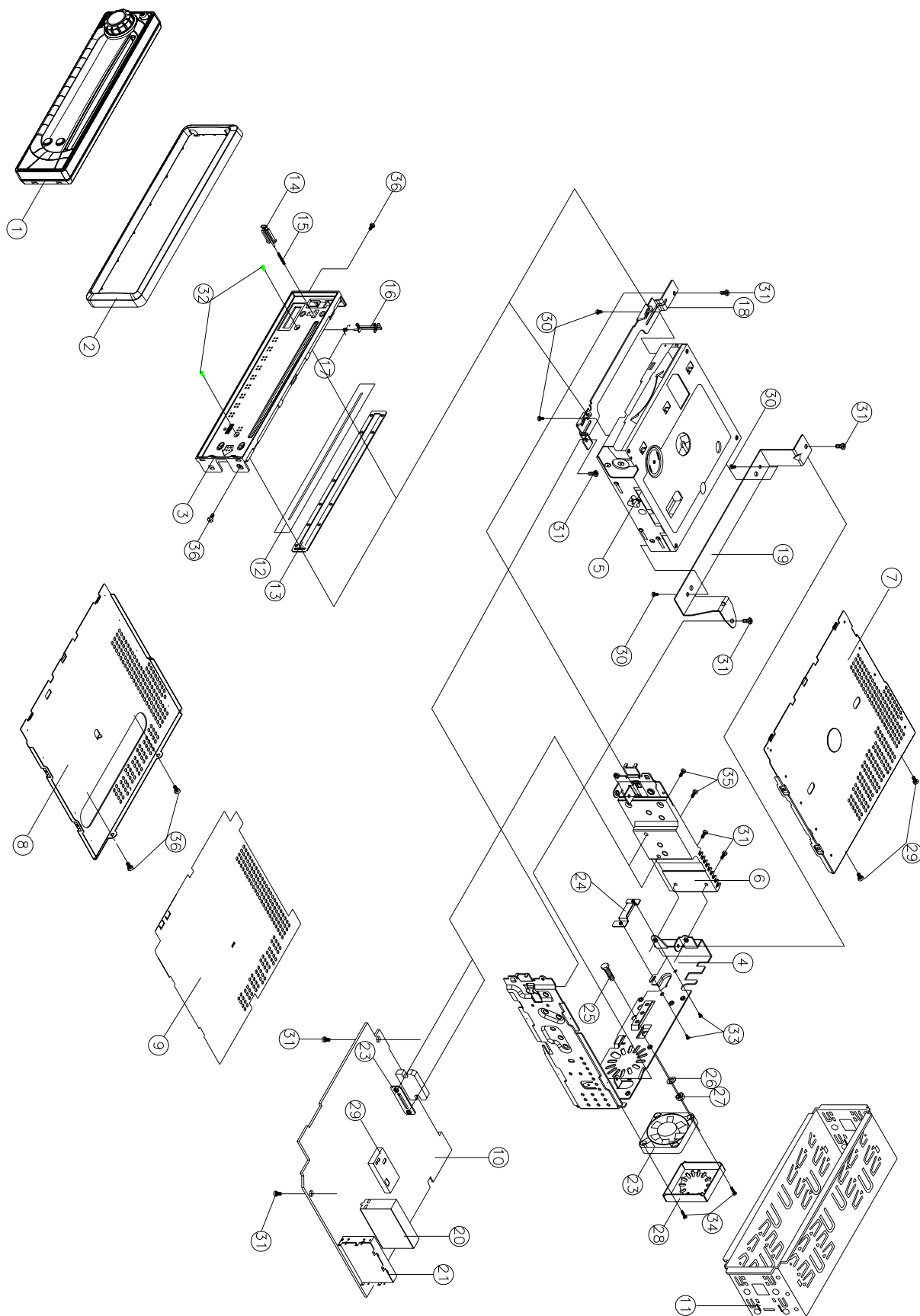
EXPLODED VIEW PARTS LIST

PANEL

Ref. No.	Description	RS Part No.	Mfr's Part No.
1	(Open) Spring ROHS		3600-040205-00
2	LCD Bracket Real (E) ROHS		3900-0E2004-00
3	LCD DVD3030 TN POS 23X84MM Pin Type ROHS		2710-303001-01Y
4	CD 1007 Back Light CHT/Red ROHS		0200-001007-02
5	Panel Top (Black/White) N/SD DVD3032 ROHS		5100-303221-31W
6	Panel Bottom W/O SD ROHS		5100-303223-000
7	AKAI Logo Silver Hot Stamp ROHS		5200-0G6240-01
8	Open Knob ROHS		5200-303224-000
9	EJ Knob (S.N0000) ROHS		5200-303225-310
10	Power Knob (S.N0000) ROHS		5200-303226-310
11	S-M Knob (S.N0000) ROHS		5200-303227-320
12	BND Knob (S.N0000) ROHS		5200-303228-310
13	AMS Knob (S.N0000) ROHS		5200-303228-312
14	TITL Knob (S.N0000) ROHS		5200-303228-313
15	1PAU Knob (S.N0000) ROHS		5200-303228-340
16	2SCN Knob (S,N0000) ROHS		5200-303228-350
17	3RPT Knob (S.N0000) ROHS		5200-303228-360
18	4SHF Knob (S.N0000) ROHS		5200-303228-370
19	5 Knob (S.N0000) ROHS		5200-303228-380
20	6 Knob (S.N0000) ROHS		5200-303228-390
21	MOD Knob (S.N0000) ROHS		5200-303228-314
22	DSP/SCN Knob (S.N0000) ROHS		5200-303229-320
23	EQ Knob (S.N0000) ROHS		5200-303230-320
24	VOL Knob (S.N1204) ROHS		5200-303232-800
25	FF/FW Knob (S.N0000) ROHS		5200-303234-300
26	CD Light ROHS		5200-303235-000
27	Volume Decoration Ring ROHS		5200-303238-000
28	Lens: DVD3032 W/IR N/RDS (S.N0000/White) (AKAI-AD-63 DR) ROHS		5300-303236-37W
29	Key Board		1121-303230-3313
30	Volume Encoder EC11E15D4MA1 POSTEC ROHS		1800-000115-00P
31	Screw Ø2X8 BA/ST Black ROHS		4000-012008-21

EXPLODED VIEW

CABINET

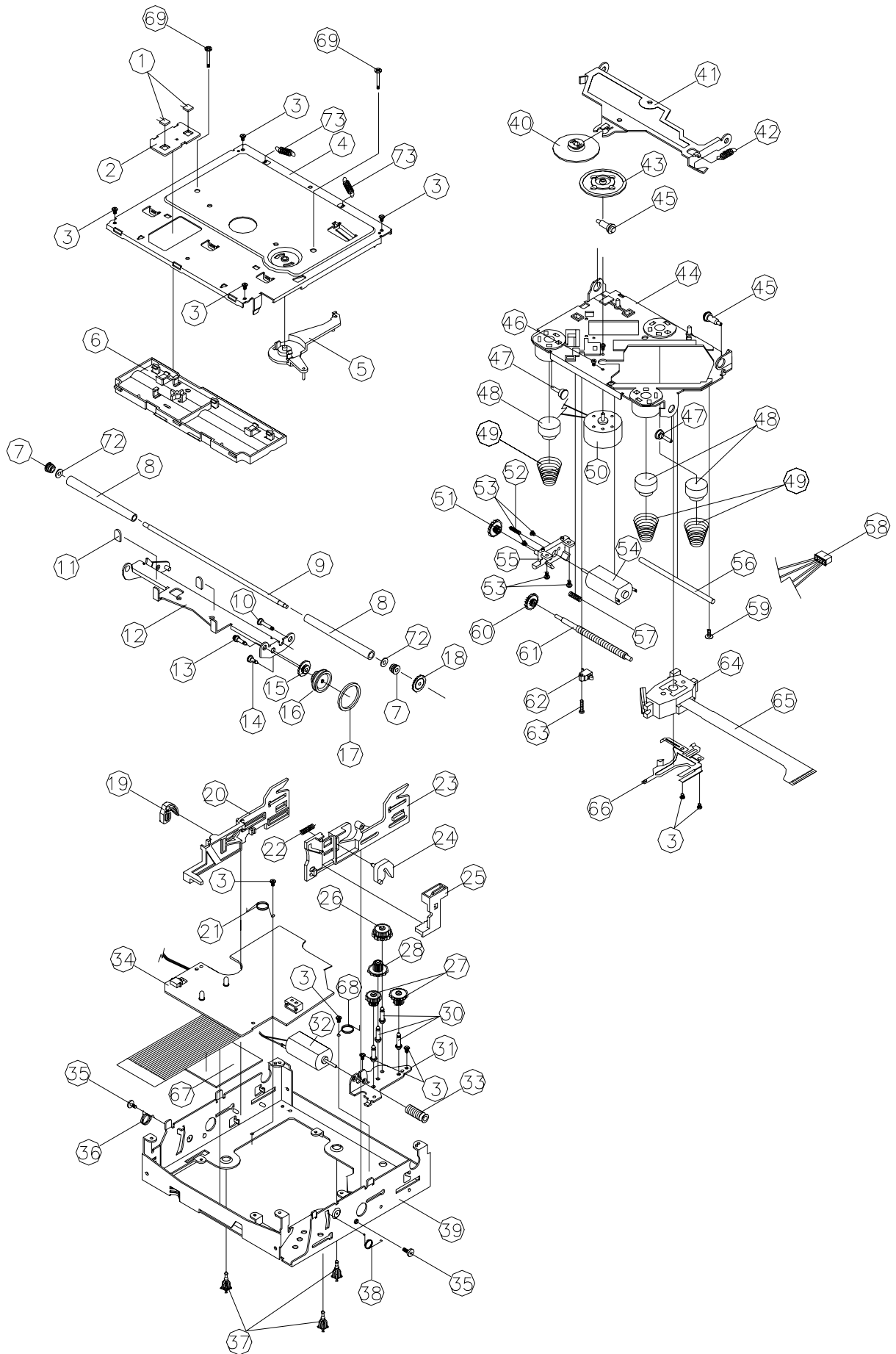


EXPLODED VIEW PARTS LIST

CABINET

Ref. No.	Description	RS Part No.	Mfr's Part No.
1	Panel		
2	Ring/ABS +SPY (S.N0000) ROHS		5100-0E2022-30
3	Base (W/O SD) ROHS		5100-0H3927-00
4	Rear-right Cabinet W/Spring For DVD-Wire ROHS		6120-300003-002
5	(DVD2685)+(HD65)+(M. Motor)With Convert PCB ROHS		9400-022685-01
6	Left Cabinet T-Heat Sink W/Spring ROHS		6100-300004-003
7	Top Cabinet ROHS		6100-300001-000
8	Bottom Cabinet ROHS		6100-300002-000
9	Main Fiber ROHS		3500-300001-000
10	Main Board		1121-500031-0813
11	Mounting Box ROHS		6100-300005-000
12	Shade ROHS		8100-069005-03
13	CD Windows Sheet ROHS		4300-0A3103-00
14	Lock Panel Knob ROHS		5200-0E2041-00
15	Spring For EJ Panel CD200 ROHS		3600-0E2001-00
16	Hook Knob ROHS		5200-0E2040-01
17	Spring For Hook Knob CD200 ROHS		3600-0E2002-00
18	Deck Front BKT (Detachable) ROHS		3900-300001-000
19	Deck Rear BKT For DVD ROHS		3900-300005-000
20	Shield Cover (Mitsumi Tuner) ROHS		3900-0N2047-00
21	Mitsumi Tuner FAE376-P01(V-Type) ROHS		2900-000376-03
22	Power IC BKT ROHS		3900-300006-000
23	12VDC Fan 40X40X10MM Wire 80MM JS2.0 ROHS		4900-004010-13
24	Wire Clip 1.0MM ROHS		3900-0B1415-00
25	Screw Ø5X18 HH ROHS		4000-005018-04
26	Spring Washer M5 ROHS		3500-050001-00
27	Hexagon Nut M5 ROHS		3500-040005-00
28	Fan Cover ROHS		3900-0D2109-00
29	TV Tuner TALN-S200T(PAL+SECAM)(H-Type) LG ROHS		2900-S20000-00
30	Screw Ø2.6 X 5 BH/TAPTITE ROHS		4000-002605-03
31	Screw Ø2.6 X 6 BH/MS ROHS		4000-002606-01
32	Screw Ø2.6 X 6 PH/MS Black ROHS		4000-002606-20
33	Screw Ø2.6 X 8 BH/MS ROHS		4000-002608-01
34	Screw Ø2.6 X 16MM BH/MS ROHS		4000-002616-01
35	Screw M2.6 X 20 PH/MS ROHS		4000-002620-00
36	Screw Ø2.6 X 4 BH/MS ROHS		4000-002604-01

EXPLODED VIEW (DECK)



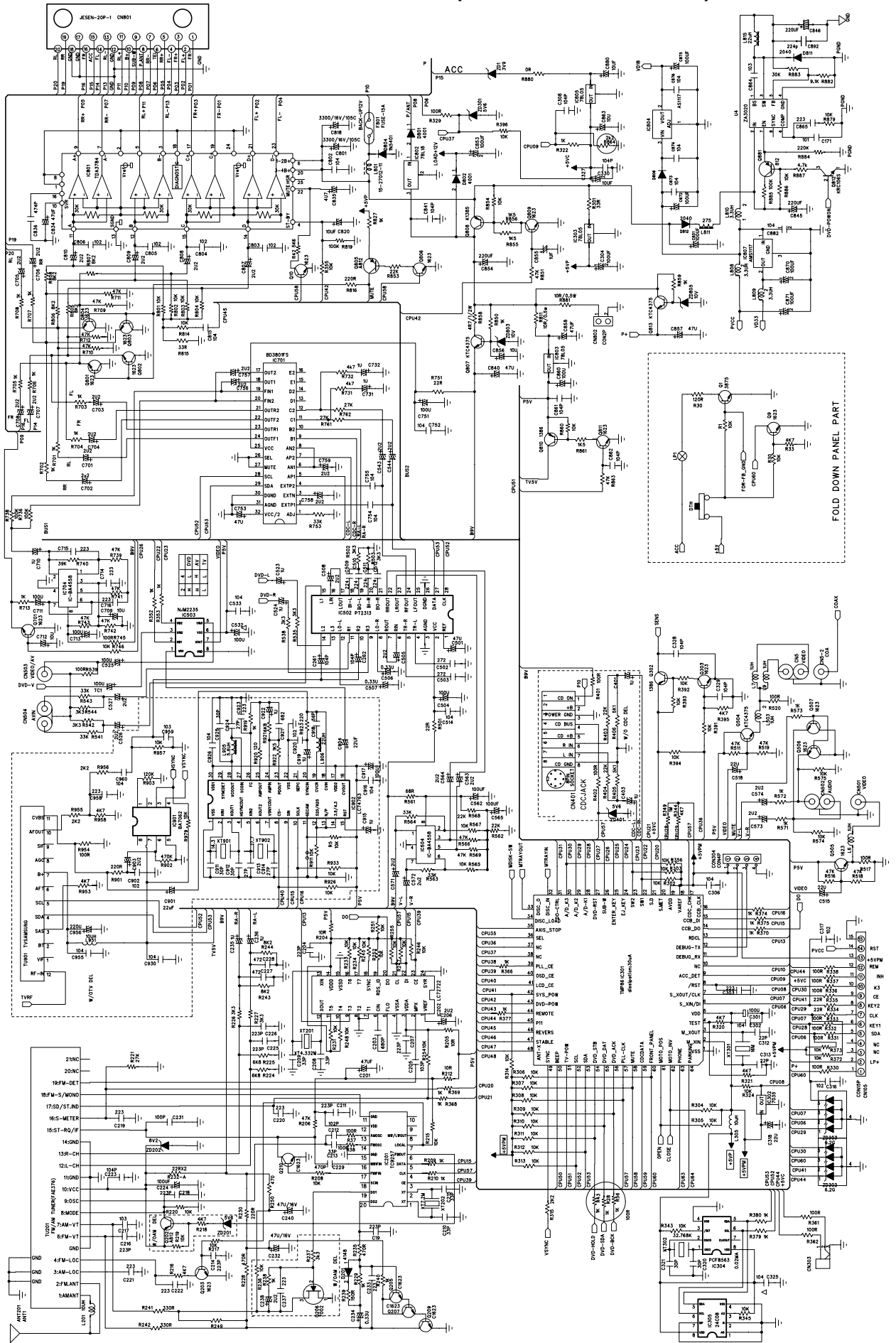
EXPLODED VIEW PARTS LIST (DECK)

Ref. No.	Description	Parts No.	Q'ty
1	SENSOR	ST-23G	2
2	SENSOR PCB	FR	1
3	SCREW	CA/H 0" TT 2*3	12
4	COVER-UPPER	SECC T1.0	1
5	LEVER DISC	POM (F20-03)	1
6	GUIDE UP	POM (F20-03)	1
7	BUSHING ROLLER	POM (F20-03)	2
8	ROLLER DISC	SLICON	2
9	SHAFT ROLLER	SUS 303	1
10	PIN ROLLER	SUM24L-NI (PLATE)	1
11	PVC CAP	PVC	2
12	B/K ROLLER	SECC T1.0	1
13	PIN PULLEY	SUM24L-NI (PLATE)	1
14	PIN IDLE	SUM24L-NI (PLATE)	1
15	GEAR IDLE	POM (F20-03)	1
16	GEAR PULLEY	POM (F20-03)	1
17	BELT PULLEY	CR-WRT	1
18	GEAR ROLLEY	POM (F20-03)	1
19	LOCKER (L)	POM (F20-03)	1
20	CAM (L)	POM (F20-03)	1
21	S/P CAM (L)	SUS304WPB	1
22	S/P RACK	SUS304WPB	1
23	CAM (R)	POM (F20-03)	1
24	LOCKER ®	POM (F20-03)	1
25	GEAR RACK	POM (F20-03)	1
26	GEAR LOAD ©	POM (F20-03)	1
27	GEAR LOAD (D)	POM (F20-03)	1
28	GEAR LOAD (B)	POM (F20-03)	1
29	GEAR LOAD (A)	POM (F20-03)	1
30	PIN LOAD	SUM24L-NI (PLATE)	4
31	B/K GEAR	SECC T1.0	1
32	MOTOR	FF-050SH-11190	1
33	GEAR WORM	POM (F20-03)	1
34	SERVO PCB ASSY	GLASS EPOXY 1.2T	1
35	SPECIAL SCREW	P/H TTS 2*2	4
36	S/P RO (L)	SUS304WPB	1
37	SUPPORT DAMPER	POM (F20-03)	3
38	S/P RO ®	SUS304WPB	1
39	CHASSIS MAIN	SEEC T1.0	1

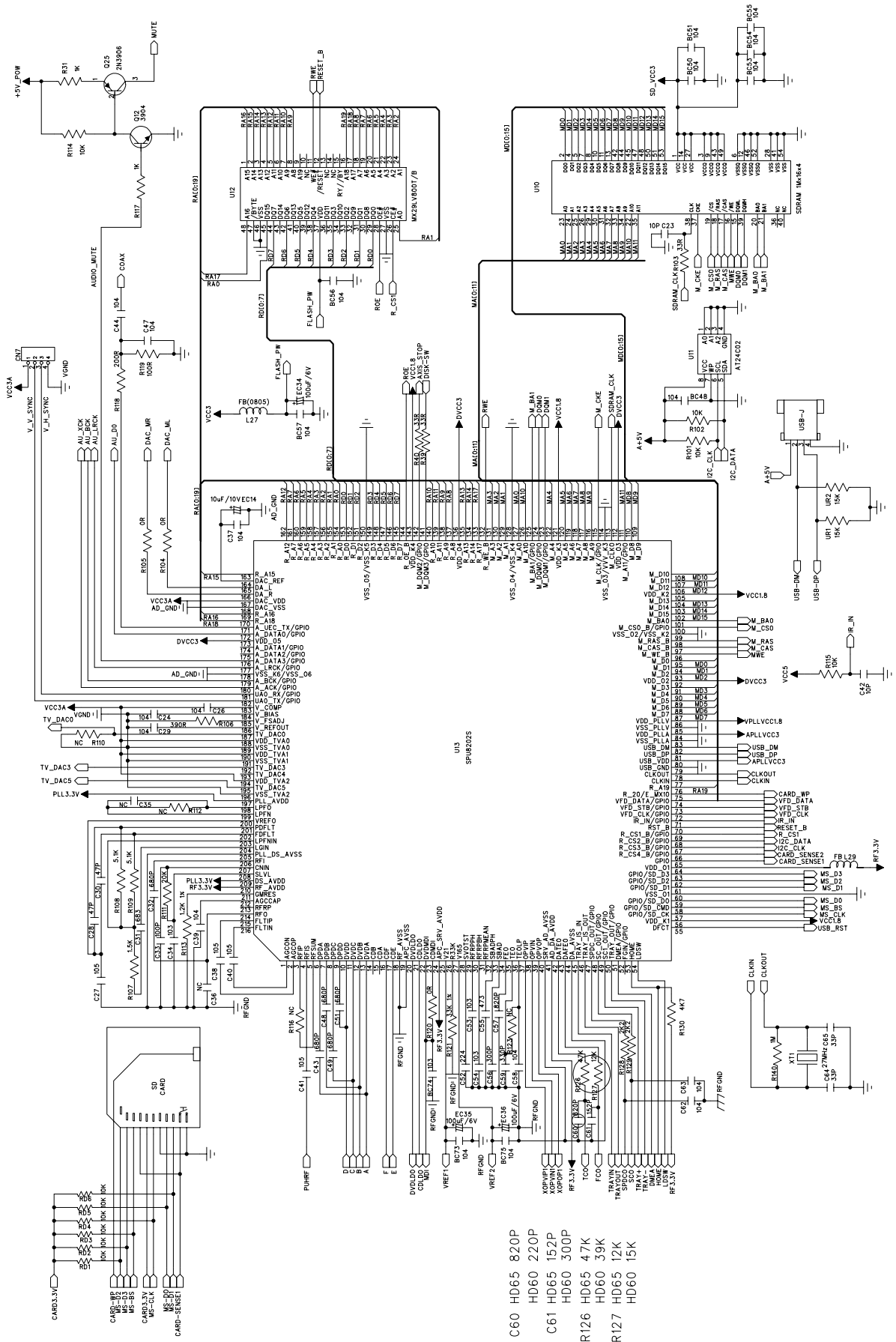
EXPLODED VIEW PARTS LIST - CONTINUED (DECK)

Ref. No.	Description	Parts No.	Q'ty
40	CLAMP DISC	POM (F20-03)	1
41	HOLD CLAMPER	SECC T1.0	1
42	S/P CLAMPER	SUS304WPB	1
43	TURN TABLE	ABS G/F 20%	1
44	BASE PU	POM (F20-03)	1
45	PIN SIDE (A)	SUM24L-NI (PLATE)	2
46	SCREW	CA/H 0" M/S 1.7*2.5	2
47	PIN SIDE (B)	SUM24L-NI (PLATE)	2
48	DAMPER	BUTHYL	1
49	S/P BASE	SUS304WPB	2
50	MOTOR	RF-300CA-11400	1
51	GEAR PU (B)	HYTRELL 5526	1
52	GEAR PU (A)	POM (F20-03)	1
53	SCREW	CA/H 0" M/S 2*2	6
54	MOTOR	FF-030PK-09210	1
55	HOUSING GEAR	POM (F20-03)	1
56	SHAFT PU	KNN11 (PCD18)	1
57	SCREW	R/H (W/W) TTB2*5	1
58	4P CONT WIRE	1007 #28	1
59	SPRING TENSION	SUS304WPB	1
60	GEAR PU ©	POM (F20-03)	1
61	LEAD SCREW	BSBM	1
62	SWITCH	SW-110	1
63	SCREW	B/H TTB1.7*8	1
64	PICK UP	HD65	1
65	FPC WIRE	POLY AMIDE	1
66	SPRING PU	SUS T0.2	1
67	FIBER PAPER		1
68	S/P CAM ®	0.55	1
69	TRANSIT SCREW	4.5*18	2
70	INSULATOR COVER	PE	1
71	SWITCH	SW-111	1
72	WASHER PE	PE	2
73	S/P BASE ®	SUS304WPB	2

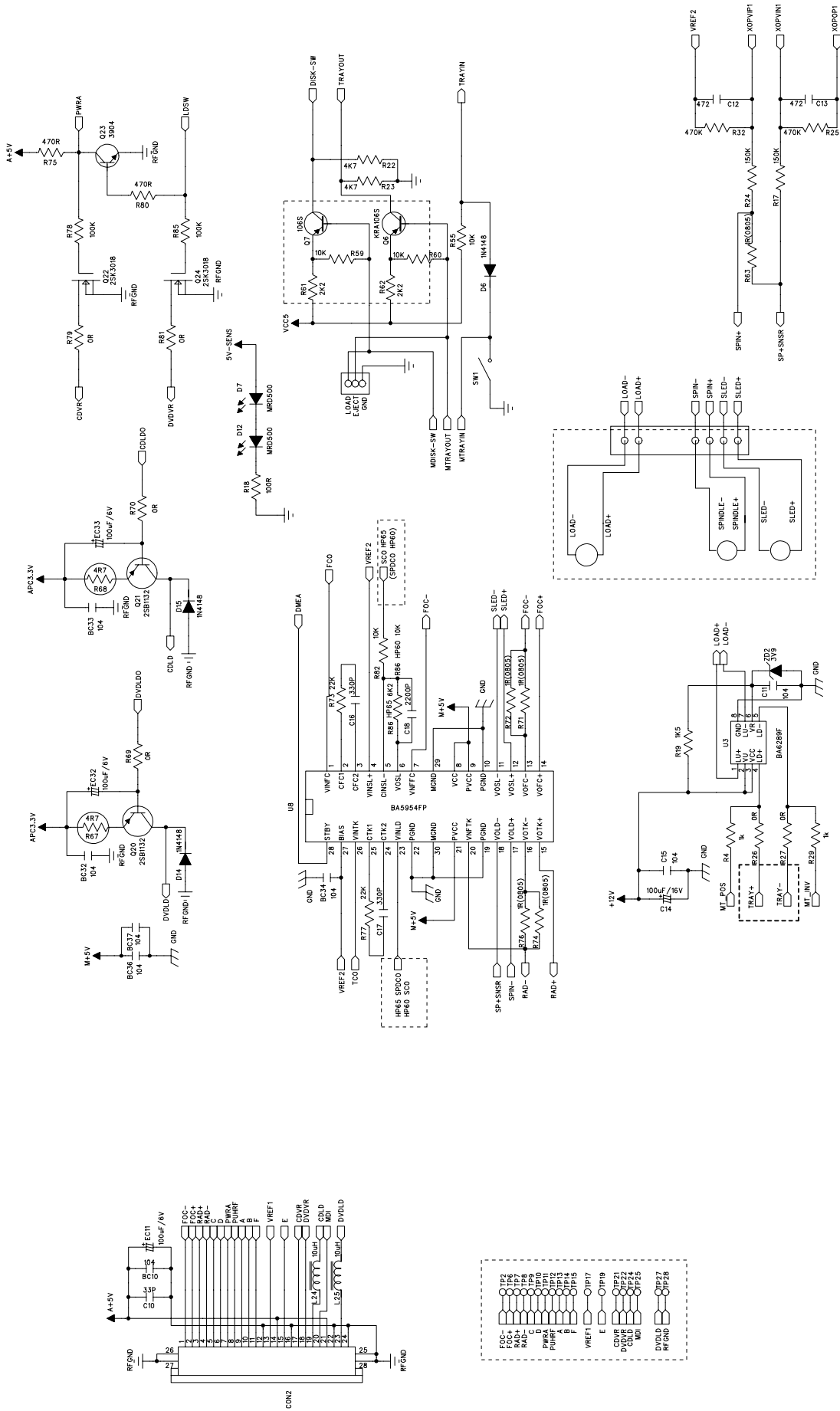
SCHEMATIC DIAGRAM (MAIN BOARD-MCU)



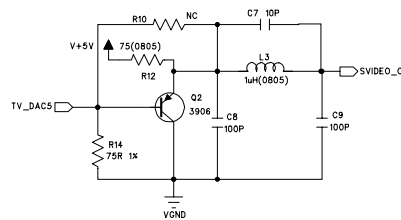
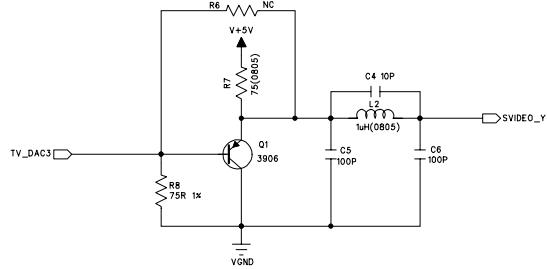
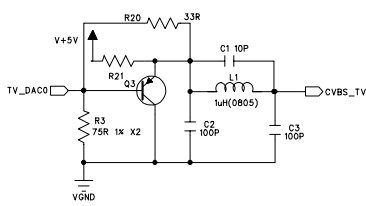
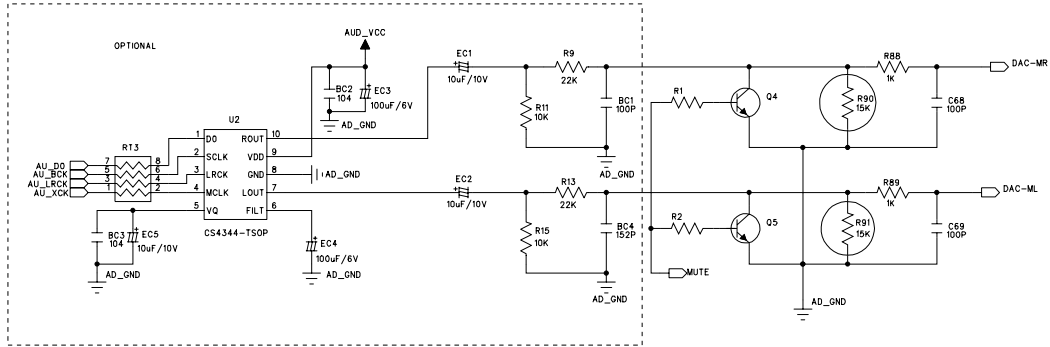
SCHEMATIC DIAGRAM (MAIN BOARD-MPEG SDRAM)



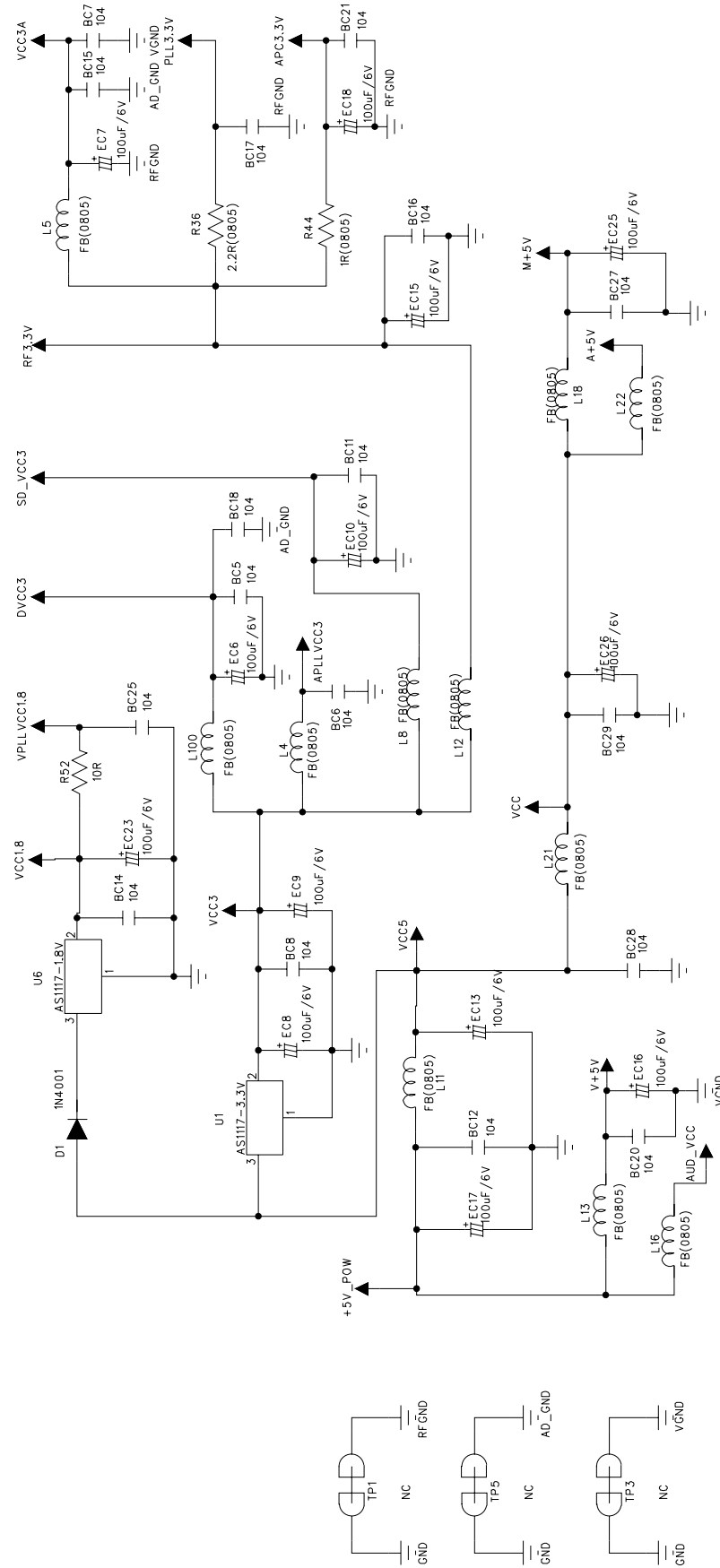
SCHEMATIC DIAGRAM (MAIN BOARD-RF)



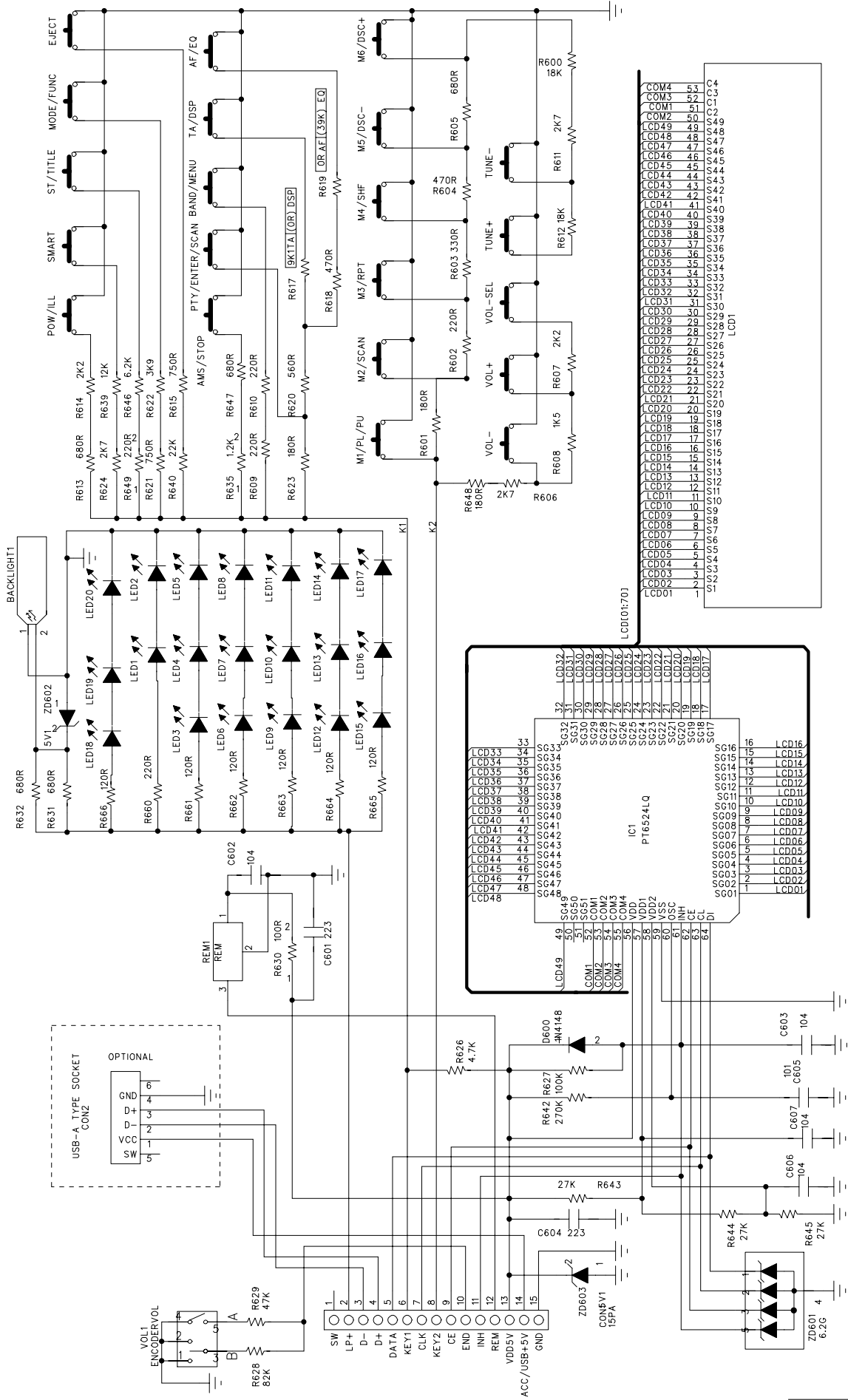
SCHEMATIC DIAGRAM (MAIN BOARD-AUDIO)



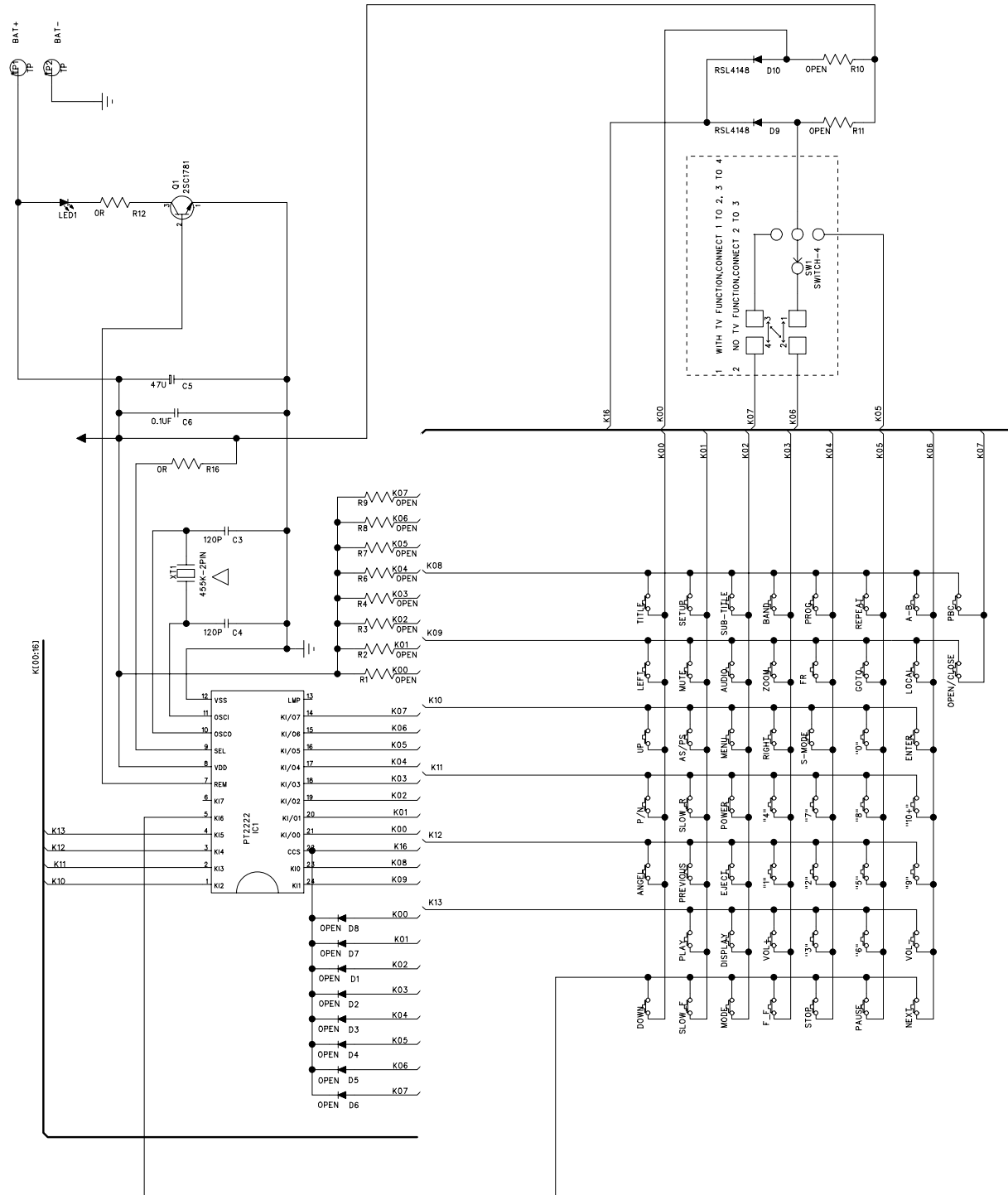
SCHEMATIC DIAGRAM (MAIN BOARD-POWER)



SCHEMATIC DIAGRAM (KEY BOARD)



SCHEMATIC DIAGRAM (REMOTE BOARD)



△ 关键特性

ELECTRICAL PARTS LIST

Ref. No.	Part No.	Description	Q'ty
PC BOARD ASSY, MAIN BOARD			
C225,226	0500-063153-01D	CHIP CAP 0.015UF X7R 0603 SMT ROHS	2
C705,706	0600-016225-54	E.CAP 2.2uF .SMD ROHS	2
R705,706	0700-063102-00	RES SMD 1KΩ ±5% 1/10W 0603 ROHS	2
R229	0700-063271-00	RES SMD 270Ω ±5% 1/10W 0603 ROHS	1
IC801	0300-007388-00	IC TDA7388 (4x40W) ST "Y" ROHS	1
XT901	0400-017734-00	CRYSTAL 17.734MHZ 50PPM HC- ROHS	1
	1600-001138-00	TACT SWITCH FOR DVD248 RESET ROHS	1
	2000-020360-08	RCA CABLE WIRE 360MM GREY ROHS	1
	2500-050010-00	AVOUT +AVIN 6PIN SOCKET ROHS	1
CN302	2500-0F1476-00D	CONNECTOR FEMALE 15PIN P=2.3MM H-TYPE DR-F15-2.3 EAST SUN ROHS	1
TU201	2900-000376-03	mitsumi TUNER FAE376-P01(V-TYPE) ROHS	1
TUJ901	2900-S20000-00	TV TUNER TALN-S200T(PAL+SECAM)(H-TYPE) LG ROHS	1
	3200-083210-01	ANT SOCKET W/GND φ 3MM L=210MM ROHS	1
	3200-303290-00	TV ANT SOCKET WIRE 90MM ROHS	1
Q202,Q805	0100-000812-00F	2SA812-G(ROHS)	2
Q808	0100-001385-00	KTA1385D-Y (DPAK) ROHS	1
Q801~804,Q806,Q809,Q205,Q207,Q209,Q203 ,Q210,Q812,Q506,Q507,Q8	0100-001623-00F	2SSC1623-G(ROHS)	16
Q807,Q813	0100-004375-00	TR NPN KTC4375-Y SOT-89 ROHS	2
Q206	0100-007002-00	TR CHIP RK7002 ROHM ROHS	1
ZD302,ZD303	0200-000062-07	E.S.D.DIODE SMD NNCD6.2G SOT23-5L ROHS	2
D801,D802,D806	0200-004001-01	DIODE SMD IN-4001 SOD-106 TAPPING ROHS	3
D201,D1,D02	0200-004148-02	DIODE SMD RLS4148 LL-34 ROHM ROHS	3
ZD1	0200-050039-01	ZENER DIODE SMD 3.9V 0.5W ±5% LL-34 ROHS	1
ZD201,ZD301	0200-050056-01	ZENER DIODE SMD 5.6V 0.5W ±2% LL-34 ROHS	2
ZD202	0200-050082-01	ZENER DIODE SMD 8.2V 0.5W LL-34 ROHS	1
ZD803,ZD805	0200-050100-02	ZENER DIODE SMD 10V 0.5W ±5% LL-34 ROHS	2
IC503	0300-002235-00	IC CHIP NJM2235M JRC ROHS	1
IC502	0300-002313-00	I.C.PT2313L ROHS	1
IC305	0300-002408-01	IC AT24C08 SOIC ATMEL ROHS	1
IC701	0300-003801-10	IC BD3801FS(SSOP-A32) ROHS	1
IC504	0300-004558-16	I.C. BA4558F ROHS	1
IC805,IC303	0300-007805-02A	IC LM78L05 (SOP-89) (ASB) ROHS	2
IC301	0300-008649-03F	MCV TMP86FS49 FOR DVD200 (YOUSHENG) ROHS	1
IC201	0300-009257-00	IC TC9257F ROHS	1
IC803	0300-017805-00	IC CHIP BA178M05FP ROHM ROHS	1

ELECTRICAL PARTS LIST-CONTINUED

Ref. No.	Part No.	Description	Q'ty
C756,C757	0500-016225-54	TAN CAP SMD 2.2uF 16V ±10% 3.2x1.6x1.6MM ROHS	2
C231	0500-063101-00	CER.CAP SMD 100PF 50V ±5% NPO 0603 ROHS	1
C803~806,C212	0500-063102-00	CER.CAP SMD 1000PF 50V ±5% NPO 0603 ROHS	5
C316,C317	0500-063103-01	CER.CAP SMD 0.01uF 50V ±10% X7R 0603 ROHS	2
C802,C815,C752,C861,C308,C330,C533,C514,C754,C755,C306,C325,C223,C302,C261,C262,C841,C811,C866,C873	0500-063104-02	CER.CAP SMD 0.1uF 50V ±20% Y5V 0603 ROHS	20
C219,C220~222,C216,C218,C211,C233,C303,C237,C217	0500-063223-01	CER.CAP SMD 0.022uF 50V ±10% X7R 0603 ROHS	14
C509~512	0500-063224-02	CER.CAP SMD 0.22uF 16V ±20% X7R 0603 ROHS	4
C502,C503	0500-063272-01	CER.CAP SMD 2700PF 50V ±10% X7R 0603 ROHS	2
C320,C321,C312,C313	0500-063300-00	CER.CAP SMD 30PF 50V ±5% NPO 0603 ROHS	4
C213,C210,C215	0500-063330-00	CER.CAP SMD 33PF 50V ±5% NPO 0603 ROHS	4
C229	0500-063471-00	CER.CAP SMD 470PF 50V ±5% NPO 0603 ROHS	1
C227,C228	0500-063472-01	CER.CAP SMD 4700PF 50V ±10% X7R 0603 ROHS	2
C836	0500-063474-02F	CER.CAP SMD 0.47uF 16V +80/-20% X5R 0603 ROHS	1
C820,C856,C327,C304,C863,C880	0600-016106-54	E.CAP SMD 10uF ±10% 16V ⌀ 4x5.5MM ROHS	6
C857,C504,C860,C751,C224,C532,C840,C562,C565,C301,C232	0600-016107-54	E.CAP SMD 100uF 16V ±10% ⌀ 6.3x5.5MM ROHS	11
C810,C701~704,C807~809,C573,C574,C563,C564,C505,C508,C758,C759,C526,C527,C238,C543,C544	0600-016225-54	E.CAP 2.2uF .SMD ROHS	27
C506,C507,C234	0600-016334-54	E.CAP SMD 0.33uF 16V ±10% ⌀ 4x5.5MM ROHS	3
C835	0600-016475-54	E.CAP SMD 4.7uF 16V ±20% ⌀ 4x5.5MM ROHS	1
C753,C501,C834,C858,C14,C201,C240	0600-016476-54	E.CAP SMD 47uF 16V ±10% ⌀ 5x5.5MM ROHS	7
C525	0600-035336-54	E.CAP SMD 33uF 35V ±10% ⌀ 6.3x5.5MM ROHS	1
C235,C236,C731,C732,C855	0600-050105-54	E.CAP SMD 1uF 50V ±20% ⌀ 4x5.5MM ROHS	5
R205,R38,R204	0700-005100-54	RES SMD 10Ω ±5% 1/10W 0805 ROHS	3
R27,R34,R880	0700-063000-00	RES SMD 0Ω ±5% 1/10W 0603 ROHS	3
R330~333,R336,R338,R43,R28,R56,R362	0700-063101-00	RES SMD 100Ω ±5% 1/10W 0603 ROHS	10
R571~573,R850,R859,R827,R701~704,R352,R353,R322,R240,R210,R370,R379,R380,R209,R368,R369,R238,R371,R374,R375	0700-063102-00	RES SMD 1KΩ ±5% 1/10W 0603 ROHS	36

ELECTRICAL PARTS LIST-CONTINUED

Ref. No.	Part No.	Description	Q'ty
R801~804,R746,R324,R325,R5,R565,R567,R219,R217,R345,R343,R208,R220,R236,R302~314,R215,.R574,R575,R254,R747,R854,R372,R373,R247,R255,R246	0700-063103-00	RES SMD 10K Ω \pm 5% 1/10W 0603 ROHS	44
R738,R736,R819	0700-063104-00	RES SMD 100K Ω \pm 5% 1/10W 0603 ROHS	3
R239	0700-063151-00	RES SMD 150 Ω \pm 5% 1/10W 0603 ROHS	1
R855,R856,R864	0700-063152-00	RES SMD 1.5K Ω \pm 5% 1/10W 0603 ROHS	3
R243,R244	0700-063153-00	RES SMD 15K Ω \pm 5% 1/10W 0603 ROHS	2
R751,R501,R232,R232A,R334,R335	0700-063220-00	RES SMD 22 Ω \pm 5% 1/10W 0603 ROHS	6
R230,R235,R816	0700-063221-00	RES SMD 220 Ω \pm 5% 1/10W 0603 ROHS	3
R315	0700-063222-00	RES SMD 2.2K Ω \pm 5% 1/10W 0603 ROHS	1
R853,R568,R562,R354,R364,R363,R377	0700-063223-00	RES SMD 22K Ω \pm 5% 1/10W 0603 ROHS	7
R815	0700-063270-00	RES SMD 27 Ω \pm 5% 1/10W 0603 ROHS	1
R761,R762	0700-063273-00	RES SMD 27K Ω \pm 5% 1/10W 0603 ROHS	2
R301	0700-063330-00	RES SMD 33 Ω \pm 5% 1/10W 0603 ROHS	1
R242,R241	0700-063331-00	RES SMD 330 Ω \pm 5% 1/10W 0603 ROHS	2
R226,R227,R544,R542,R538,R535,R502,R503,R237	0700-063332-00	RES SMD 3.3K Ω \pm 5% 1/10W 0603 ROHS	9
R543,R541,R564,R563	0700-063333-00	RES SMD 33K Ω \pm 5% 1/10W 0603 ROHS	4
R753	0700-063393-00	RES SMD 39K Ω \pm 5% 1/10W 0603 ROHS	1
R228,R250	0700-063471-00	RES SMD 470 Ω \pm 5% 1/10W 0603 ROHS	2
R216,R218,R321,R731,R732,R16,R344,R349,R396	0700-063472-00	RES SMD 4.7K Ω \pm 5% 1/10W 0603 ROHS	9
R569,R566,R743,R851,R711,R709,R710,R712,R206	0700-063473-00	RES SMD 47K Ω \pm 5% 1/10W 0603 ROHS	9
R5	0700-063562-00	RES SMD 5.6K Ω \pm 5% 1/10W 0603 ROHS	1
R561,R212	0700-063680-00	RES SMD 68 Ω \pm 5% 1/10W 0603 ROHS	2
R224,R225	0700-063682-00	RES SMD 6.8K Ω \pm 5% 1/10W 0603 ROHS	2
R539	0700-063750-00	RES SMD 75 Ω \pm 5% 1/10W 0603 ROHS	1
R805~808	0700-063822-00	RES SMD 8.2K Ω \pm 5% 1/10W 0603 ROHS	4
L201	0900-000100-54	INDUCTOR 10uH SMD 0805 ROHS	1
L1/L503	0900-070010-02	CHIP CI160808-IROK 0603 ROHS	2
	1121-500031-0813	PCB DVD/D5000 W/TV D/S 185X151X1.2MM	1
IC302	0300-007035-00	IC KIA7035AP TO-92 ROHS	1
IC802	0300-007818-00C	IC 78L18-CSI ROHS	1
IC304	0300-008563-00	IC PCF8563P ROHS	1
XT301	0400-000016-03	CRYSTAL 16MHZ HC49US DIP ROHS	1
XT202	0400-000072-01	CRYSTAL 7.2MHZ +/-30PPM HC-49U/S 22pf SS-1918 ROHS	1
XT302	0400-000327-00	CRYSTAL 32.768KHZ +/-20PPM ZDT-38(ϕ 3X8MM) 12.5PF SW-0227 ROHS	1
C801,818	0600-016338-00J	E.CAP 3300uF 16V \pm 20% ϕ 13x25MM ROHS	2
R881,811	0700-005100-10	RES. 10R ROHS	2
	1600-000035-10I	3.5MM JACK 4PIN BLACK	1
	1600-000035-20I	3.5MM JACK 4PIN YELLOW	1
JC3	3200-002180-02	IR WIRE W/CD JACK 260MM ROHS	1

PC BOARD ASSY, KEY BOARD

ELECTRICAL PARTS LIST-CONTINUED

Ref. No.	Part No.	Description	Q'ty
C601	0500-003223-10	CER.CAP SMD 0.022uF 50V ±10% X7R 0805 ROHS	1
INH	0500-016475-10	TAN CAP SMD 4.7uF 16V ±10% 3.2x1.6x 1.6MM ROHS	1
C602(RC)	0500-063104-02	CER.CAP SMD 0.1uF 50V ±20% Y5V 0603 ROHS	1
R617(DSP)	0700-063000-00	RES SMD 0Ω ±5% 1/10W 0603 ROHS ROHS	1
R630(RC)	0700-063101-00	RES SMD 100Ω ±5% 1/10W 0603 ROHS	1
R619(EQ)	0700-063393-00	RES SMD 39KΩ ±5% 1/10W 0603 ROHS	1
	0200-001007-02	CD 1007 B.LI CHT/RED	1
M1-M6/MOD/AMS/ST	1600-001107-02K	SWITCH TACT KPT-1107B 6x3.5x4.3MM KIE ROHS	9
VOL+/- SEL	1800-000115-00P	VOL ENCODER EC11E15D4MA1 12x11.7x 14.5MM POSTEC ROHS	1
LCD	2710-303001-01Y	LCD DVD3030 TN POS 23X84MM PIN TYPE ROHS	1
REM1	2900-001201-00	IR RECEIVER GP1UM261XK(SHARP) ROHS	1
ZD601	0200-000062-07	E.S.D.DIODE SMD NNCD6.2G SOT23-5L ROHS	1
LED1~20	0200-001112-06H	SMD LED 0805 SUPER BLUE ROHS	20
D600	0200-004148-02	DIODE SMD RLS4148 LL-34 ROHM ROHS	1
ZD602~603	0200-050051-03	ZENER DIODE SMD 5.1V 0.5W ±5% LL-34 ROHS	2
IC1	0300-006524-00	IC PT6524LQFP ROHS	1
C605	0500-003101-10	CER.CAP SMD 100PF 50V ±10% 0805 Y5P ROHS	1
C603/6/7	0500-063104-02	CER.CAP SMD 0.1uF 50V ±20% Y5V 0603 ROHS	3
C604	0500-063223-00	CER.CAP SMD 0.022uF 50V ±5% NPO 0603 ROHS	1
R627	0700-063104-00	RES SMD 100KΩ ±5% 1/10W 0603 ROHS	1
R661~666	0700-063121-00	RES SMD 120Ω ±5% 1/10W 0603 ROHS	6
R635	0700-063122-00	RES SMD 1.2KΩ ±5% 1/10W 0603 ROHS	1
R639	0700-063123-00	RES SMD 12KΩ ±5% 1/10W 0603 ROHS	1
R623/601/648	0700-063181-00	RES SMD 180Ω ±5% 1/10W 0603 ROHS	3
R612,R600	0700-063183-00	RES SMD 18KΩ ±5% 1/10W 0603 ROHS	2
R602,R610,R609,R649,R660	0700-063221-00	RES SMD 220Ω ±5% 1/10W 0603 ROHS	5
R614,607	0700-063222-00	RES SMD 2.2KΩ ±5% 1/10W 0603 ROHS	2
R640	0700-063223-00	RES SMD 22KΩ ±5% 1/10W 0603 ROHS	1
R624,611,606	0700-063272-00	RES SMD 2.7KΩ ±5% 1/10W 0603 ROHS	3
R643,645,644	0700-063273-00	RES SMD 27KΩ ±5% 1/10W 0603 ROHS	3
R642	0700-063274-00	RES SMD 270KΩ ±5% 1/10W 0603 ROHS	1
R603	0700-063331-00	RES SMD 330Ω ±5% 1/10W 0603 ROHS	1
R622	0700-063392-00	RES SMD 3.9KΩ ±5% 1/10W 0603 ROHS	1
R604,618	0700-063471-00	RES SMD 470Ω ±5% 1/10W 0603 ROHS	2
R628	0700-063473-00	RES SMD 47KΩ ±5% 1/10W 0603 ROHS	1
R620	0700-063561-00	RES SMD 560Ω ±5% 1/10W 0603 ROHS	1
R646	0700-063622-00	RES SMD 6.2KΩ ±5% 1/10W 0603 ROHS	1

ELECTRICAL PARTS LIST-CONTINUED

Ref. No.	Part No.	Description	Q'ty
R605,R613,R647,631,632	0700-063681-00	RES SMD 680Ω ±5% 1/10W 0603 ROHS	5
R621,615	0700-063751-00	RES SMD 750Ω ±5% 1/10W 0603 ROHS	2
R629	0700-063823-00	RES SMD 82KΩ ±5% 1/10W 0603 ROHS	1
	1121-303230-3313	PCB DVD/D3032KB D/S 183X43X1.2MM	1
	1600-021130-01	TACT SW DT2113CH 250G/4.3 SMD RED	9
	2500-0M1475-00	D.S CONNECTOR SMD MALE 15PIN P=2.3MM H-TYPE R41/1475A MITSUMI ROHS	1
PC BOARD ASSY, MAIN BOARD TVB/PTB/TB SECTION			
Q810,302	0100-001386-00	TR. 2SB1386 SMD ROHM ROHS	2
Q811,303,505	0100-001623-00	TR NPN 2SC1623(L7) SOT-23 NEC ROHS	3
Q504	0100-004375-00	TR NPN KTC4375-Y SOT-89 ROHS	1
IC901	0300-007062-00	IC CHIP BA7062F ROHM ROHS	1
IC902	0300-074763-00	IC LC74763M-9602 SANYO ROHS	1
C902,920	0500-063102-10	CER.CAP SMD 1000PF 100V ±10% X7R 0603 ROHS	4
C959	0500-063103-01	CER.CAP SMD 0.01uF 50V ±10% X7R 0603 ROHS	1
C960,862,926,916,328,329,955,930	0500-063104-02	CER.CAP SMD 0.1uF 50V ±20% Y5V 0603 ROHS	8
C958,923	0500-063223-01	CER.CAP SMD 0.022uF 50V ±10% X7R 0603 ROHS	2
C924	0500-063270-00	CER.CAP SMD 27PF 50V ±5% NPO 0603 ROHS	1
C911/2,925	0500-063300-00	CER.CAP SMD 30PF 50V ±5% NPO 0603 ROHS	3
C918	0500-063560-00	CER.CAP SMD 56PF 50V ±5% NPO 0603 ROHS	1
C921	0500-063682-01	CER.CAP SMD 6800PF 50V ±10% X7R 0603 ROHS	1
C917	0600-016107-54	E.CAP SMD 100uF 16V ±10% ⌀ 6.3x5.5MM ROHS	1
C903	0600-016225-54	E.CAP 2.2uF .SMD ROHS	1
C518,515,901,904	0600-016226-54	E.CAP SMD 22uF 16V ±10% ⌀ 5x5.5MM ROHS	4
C919,922,915	0600-050105-54	E.CAP SMD 1uF 50V ±20% ⌀ 4x5.5MM ROHS	3
C956	0600-063227-54	E.CAP SMD 220uF 6.3V ±10% ⌀ 6.3x5MM ROHS	1
R954,520,517	0700-063101-00	RES SMD 100Ω ±5% 1/10W 0603 ROHS	3
R919	0700-063102-00	RES SMD 1KΩ ±5% 1/10W 0603 ROHS	1
R957,394/3/2/1,911,933,926,979,980	0700-063103-00	RES SMD 10KΩ ±5% 1/10W 0603 ROHS	10
R920	0700-063121-00	RES SMD 120Ω ±5% 1/10W 0603 ROHS	1
R903	0700-063124-00	RES SMD 120KΩ ±5% 1/10W 0603 ROHS	1
R861,922	0700-063152-00	RES SMD 1.5KΩ ±5% 1/10W 0603 ROHS	2
R901,923	0700-063221-00	RES SMD 220Ω ±5% 1/10W 0603 ROHS	2
R955/6	0700-063222-00	RES SMD 2.2KΩ ±5% 1/10W 0603 ROHS	2
R953/8,395	0700-063472-00	RES SMD 4.7KΩ ±5% 1/10W 0603 ROHS	3
R863,519,511,516,518	0700-063473-00	RES SMD 47KΩ ±5% 1/10W 0603 ROHS	5
R902	0700-063474-00	RES SMD 470KΩ ±5% 1/10W 0603 ROHS	1

ELECTRICAL PARTS LIST-CONTINUED

Ref. No.	Part No.	Description	Q'ty
R921	0700-063682-00	RES SMD 6.8K Ω \pm 5% 1/10W 0603 ROHS	1
L905	0800-002056-00	IFT CP4L2-5R6 (MILKLY) 5.6UH+/-1%(SUMIDA) ROHS	1
L305,6,7,9	0900-000010-00N	CHIP INDUCTOR 1uH \pm 10% WL322522-1ROK SMD ROHS	4
L951	0900-000100-54	INDUCTOR 10uH SMD 0805 ROHS	1
C906	0900-000220-54	INDUCTOR 22uH SMD 1210 ROHS	1
L907	0900-070010-02	CHIP C1160808-IROK 0603 ROHS	1
PC BOARD ASSY, MAIN BOARD SERVO BOARD SECTION			
BC9,13,19,23	0500-063224-02	CER.CAP SMD 0.22uF 16V \pm 20% X7R 0603 ROHS	4
R63	0700-005010-54D	CHIP RES 1 0805 SMT ROHS	1
65R1~65R4	0700-063000-00	RES SMD 0 Ω \pm 5% 1/10W 0603 ROHS ROHS	4
R127	0700-063123-00	RES SMD 12K Ω \pm 5% 1/10W 0603 ROHS	1
R126	0700-063473-00	RES SMD 47K Ω \pm 5% 1/10W 0603 ROHS	1
R86	0700-063622-00	RES SMD 6.2K Ω \pm 5% 1/10W 0603 ROHS	1
L10	0900-000027-54	INDUCTOR 2.7uH SMD 1210 ROHS	1
	2500-000171-24	24PIN 0.5MM WIRE FFC (POSITIVE) ROHS	1
Q812	0100-000106-10	KRC106S (SOT-23) SMD ROHS	1
Q881	0100-000812-00F	2SA812-G(ROHS)	1
Q20,Q21	0100-001132-00	TR PNP 2SB1132Q SOT-89 ROHM ROHS	2
Q22,Q24	0100-003018-00	TR CHIP 2SK 3018 ROHS	2
Q23	0100-003904-00	TR NPN 2N3904 SOT-23 ROHS	1
D11,12	0200-002040-00	SCHOTTKY MBRS2040T3 SMD ROHS	2
D6,D14,D15	0200-004148-02	DIODE SMD RLS4148 LL-34 ROHM ROHS	3
ZD2	0200-050043-00	ZENER DIODE SMD 4.3V 0.5W LL-34 ROHS	1
IC807	0300-001117-01	FIX 3.3V VOLTAGE REGVLATER AMS1117-3.3 ROHS	1
IC804	0300-001117-03	VOL TAGE REGVLATER AS1117-1.8 SOT-223 ROHS	1
U11	0300-002402-00A	AT24C2BN-10SU-1.8 (ROHS)	1
IC806	0300-004060-06	IC ACT4060SH DC/DC SOP8 ROHS	1
U2	0300-004344-00	IC CS4344 STEREO D/A CONVERTER (8L.SOIC) ROHS	1
U8	0300-005954-00	BA5954FP (HSOP-28PIN) ROHS	1
U3	0300-006289-00	IC BA6289F (SOP8) ROHS	1
U10	0300-006416-00	IC 4*16 W9864G6GH-6 TSSOP-54PIN ROHS	1
U13	0300-008202-01	SUNPLUS IC SPHE8202D-216PIN ROHS	1
U12	0300-029800-20	AM29LV800BT-90(TSOP-48) DVD-218 ROHS	1
C23,C42,C1	0500-063100-00	CER.CAP SMD 10PF 50V \pm 5% NPO 0603 ROHS	3
C2,C3,C881,BC1,BC33	0500-063101-00	CER.CAP SMD 100PF 50V \pm 5% NPO 0603 ROHS	5
C53,C54,BC74,C34,C864	0500-063103-01	CER.CAP SMD 0.01uF 50V \pm 10% X7R 0603 ROHS	5

ELECTRICAL PARTS LIST-CONTINUED

Ref. No.	Part No.	Description	Q'ty
BC50/1/3~7,75/3,1~3,8,10~2/4~8,20~2/5/7~9,3 2~4,6,5,48,C44,37/9,26/9/4,63,874,58	0500-063104-02	CER.CAP SMD 0.1uF 50V ±20% Y5V 0603 ROHS	52
C41,C38,C40,C27	0500-063105-00	CER.CAP SMD 1uF 25V ±20% Y5V 0603 ROHS	4
BC4,C61	0500-063152-00N	CER.CAP SMD 1500PF 50V ±5% NPO 0603 ROHS	2
C18	0500-063222-01	CER.CAP SMD 2200PF 50V ±10% X7R 0603 ROHS	1
C865	0500-063223-01	CER.CAP SMD 0.022uF 50V ±10% X7R 0603 ROHS	1
C52,892	0500-063224-01	CER.CAP SMD 0.22uF 16V ±10% X7R 0603 ROHS	2
C56	0500-063301-00	CER.CAP SMD 300PF 50V ±5% NPO 0603 ROHS	1
C64,C65	0500-063330-00	CER.CAP SMD 33PF 50V ±5% NPO 0603 ROHS	2
C59,C16,C17	0500-063331-00	CER.CAP SMD 330PF 50V ±5% NPO 0603 ROHS	3
C28,C30	0500-063470-00	CER.CAP SMD 47PF 50V ±5% NPO 0603 ROHS	2
C12,C13	0500-063472-01	CER.CAP SMD 4700PF 50V ±10% X7R 0603 ROHS	2
C55	0500-063473-00	CHIP CAP 0.047PF ROHS	1
C48,C49,C43,C51,C32	0500-063681-00	CER.CAP SMD 680PF 50V ±5% NPO 0603 ROHS	5
C31	0500-063683-00	SHIP CAP 0.068 ROHS	1
C57,C60	0500-063821-00	CER.CAP SMD 820PF 50V ±5% NPO 0603 ROHS	2
C523,C524,EC1,EC2,EC5,EC14	0600-016106-54	E.CAP SMD 10uF ±10% 16V § 4x5.5MM ROHS	6
C870,871,875,851	0600-016107-54	E.CAP SMD 100uF 16V ±10% § 6.3x5.5MM ROHS	4
C845,846	0600-016227-54	E.CAP CHIP 220u/16V +/-10% § 6.3X7.6 ROHS	2
EC11	0600-016476-54	E.CAP SMD 47uF 16V ±10% § 5x5.5MM ROHS	1
EC34/6/5,3,17,26/5,18,7,15,10,6,EC23,32,8,16, 33,4	0600-063107-54	E.CAP CHIP 100UF/6.3V § 6.3X5 ROHS	18
C872,EC13	0600-063227-54	E.CAP SMD 220uF 6.3V ±10% § 6.3x5MM ROHS	2
R44,R74,R76,R71,R72	0700-005010-54D	CHIP RES 1 0805 SMT ROHS	5
R120,R81,R69,R70,R79	0700-063000-00	RES SMD 0Ω ±5% 1/10W 0603 ROHS ROHS	5
R44,74,76,71,72	0700-063010-00	RES SMD 1Ω ±5% 1/10W 0603 ROHS	5
R36	0700-063022-01	CHIP RES 2.2 0603 ROHS	1
R67,R68	0700-063047-01	RES SMD 4.7 Ω ±% 1/10W 0603 ROHS	2
R52	0700-063100-00	RES SMD 10Ω ±5% 1/10W 0603 ROHS	1
R119,R35,R37	0700-063101-00	RES SMD 100Ω ±5% 1/10W 0603 ROHS	3
R88,R89	0700-063102-00	RES SMD 1KΩ ±5% 1/10W 0603 ROHS	2
R102,R11,R15,R101,R82,R55,879,886	0700-063103-00	RES SMD 10KΩ ±5% 1/10W 0603 ROHS	8
R885,R78,R85	0700-063104-00	RES SMD 100KΩ ±5% 1/10W 0603 ROHS	3
R113	0700-063122-01	RES SMD 1.2KΩ ±1% 1/10W 0603 ROHS	1

ELECTRICAL PARTS LIST-CONTINUED

Ref. No.	Part No.	Description	Q'ty
R107,R19	0700-063152-00	RES SMD 1.5K Ω \pm 5% 1/10W 0603 ROHS	2
R90,R91	0700-063153-00	RES SMD 15K Ω \pm 5% 1/10W 0603 ROHS	2
R17,R24	0700-063154-00	RES SMD 150K Ω \pm 5% 1/10W 0603 ROHS	2
R118	0700-063201-00	CHIP RES 200 0603 SMT ROHS	1
R111	0700-063203-00	RES SMD 20K Ω \pm 5% 1/10W 0603 ROHS	1
R128,R129	0700-063222-00	RES SMD 2.2K Ω \pm 5% 1/10W 0603 ROHS	2
R73,R77,R9,R13	0700-063223-00	RES SMD 22K Ω \pm 5% 1/10W 0603 ROHS	4
R884	0700-063224-00	RES SMD 220K Ω \pm 5% 1/10W 0603 ROHS	1
R883	0700-063303-00	RES SMD 30K Ω \pm 5% 1/10W 0603 ROHS	1
R103,R40,R39,R20	0700-063330-00	RES SMD 33 Ω \pm 5% 1/10W 0603 ROHS	4
R121	0700-063333-01	RES SMD 33K Ω \pm 1% 1/10W 0603 ROHS	1
R106	0700-063391-00	RES SMD 390 Ω \pm 5% 1/10W 0603 ROHS	1
R75,R80	0700-063471-00	RES SMD 470 Ω \pm 5% 1/10W 0603 ROHS	2
R140,R130,887	0700-063472-00	RES SMD 4.7K Ω \pm 5% 1/10W 0603 ROHS	3
R25,R32	0700-063474-00	RES SMD 470K Ω \pm 5% 1/10W 0603 ROHS	2
R6	0700-063511-00	RES SMD 510 Ω \pm 5% 1/10W 0603 ROHS	1
R108,R109	0700-063512-00	RES SMD 5.1K Ω \pm 5% 1/10W 0603 ROHS	2
R110,3	0700-063750-00	RES SMD 75 Ω \pm 5% 1/10W 0603 ROHS	2
R882	0700-063912-00	RES SMD 9.1K Ω \pm 5% 1/10W 0603 ROHS	1
L27,11,13,21,12,8,100,5,18,22,16,24/5,4	0900-000100-54	INDUCTOR 10uH SMD 0805 ROHS	14
L815	0900-000220-54A	INDUCTOR 22 CD105 5MM SMT ϕ 9.8X5.4 ROHS	1
L29	0900-000270-00	CHIP SGMI1608M2R7KT ROHS	1
L811	0900-070275-54	CHOKE COIL 275uH SMD ϕ 7.8X3.5 (XDN-345-275uH ROHS	1
	2500-000135-24	SOCKET SMD 24PIN P=0.5MM TOP-CONTACT H-TYPE ROHS	1
CN4	2500-008360-13A	SOCKET SMD 13PIN P=1.0MM TOP-CONTACT H-TYPE Hong- XingChen ROHS	1
XT1	0400-000270-00S	CRYSTAL OSCILLATOR 27MHZ \pm 5PPM HC-49U/S ROHS	1
L808,809	0900-003315-00	SL0805-3R3M1R5 ROHS	2
	2500-000171-13	13PIN 1.0MM WIRE FFC ROHS	1
PC BOARD ASSY, REMOTE BOARD			
Q1	0100-001781-18	TR. 2SD1781K-R (ROHM) ROHS	1
D8,9	0200-004148-02	DIODE SMD RLS4148 LL-34 ROHM ROHS	2
IC1	0300-002222-00	IC PT2222-001 SOP ANGUS ROHS	1
C6	0500-063104-01	CER.CAP SMD 0.1uF 50V \pm 10% X7R 0603 ROHS	1
C3,4	0500-063121-00	CER.CAP SMD 120PF 50V \pm 5% NPO 0603 ROHS	2
C5	0600-063476-00	E.CAP 47UF/6.3V MM ROHS	1
R12,16	0700-063000-00	RES SMD 0 Ω \pm 5% 1/10W 0603 ROHS	2
	1121-702020-503	PCB REM D/S THK=1.0MM(137.5X45MM)(FR-4)	1
S2	1600-001218-03	MINI SLIDE SWITCH 1P 3T SMT ROHS	1

ELECTRICAL PARTS LIST-CONTINUED

Ref. No.	Part No.	Description	Q'ty
LED1	0200-000334-00	INFRARED LED WL=940NM ϕ 3MM DYNA-LINK ROHS	1
C5	0600-063476-00	E.CAP 47UF/6.3V MM ROHS	1
XT1	0900-050455-05J	CER RESONATOR ZTB455E ROHS	1
PC BOARD ASSY, CHOKE BOARD			
D901	0200-005401-00	DIODE IN5401 DO-27 ROHS	1
C917	0500-000104-82	CER CAP 0.1UF 25V \pm 10% ϕ 5.2MM ROHS	1
C918	0600-016108-00	E.CAP 1000uF 16V \pm 20% ϕ 10x15MM ROHS	1
	1111-402840-9210	PCB (EI-28) TRANSFOMER 42X26X1.6MM	1
T901	1500-000028-00C	TRANS EI-28 30.5x27.5x28MM ROHS	1
ISO	2500-0F1004-03	16PIN ISO EIA ROHS	1
	3100-016200-04	AWG #16 5X10X200MM YELLOW ROHS	1
	3100-016200-10	AWG#16 5X10X200MM BLKCK ROHS	1

SPECIFICATIONS

T. H. D.....	Less than 0.35%
Signal to Noise Ratio	More than 60 dB
Channel Separation.....	More than 50 dB
Frequency Response	20Hz-20kHz
Stereo Separating (FM)	30 dB (at 1kHz)
Signal to Noise Ratio (FM)	Better than 50 dB
Output Power	4 X 40W
Speaker Output Impedance.....	4 To 8 ohm
Power Source	DC 12V, Negative ground.
Frequency Range	FM 65.0 – 74.0MHz (FM 87.5 – 108.0MHz)
.....	MW 522-1620 kHz
Sensitivity.....	FM 3 μ V (S/N=30dB)
.....	MW 32 dB μ (S/N=20 dB)

Specifications are subject to change without notice.